



Parts List

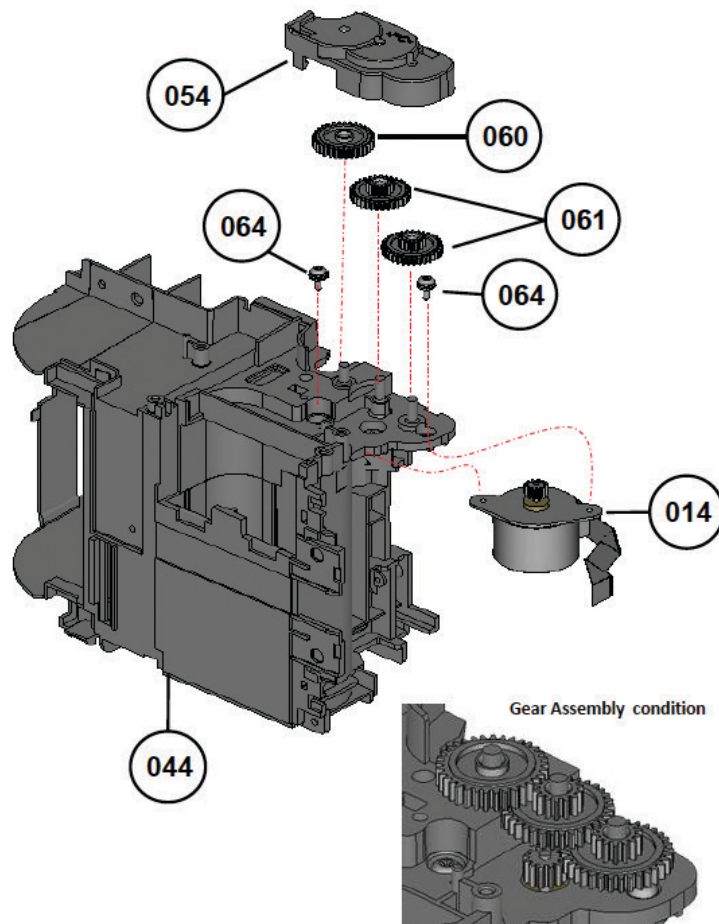
For printer model:

PW2NX



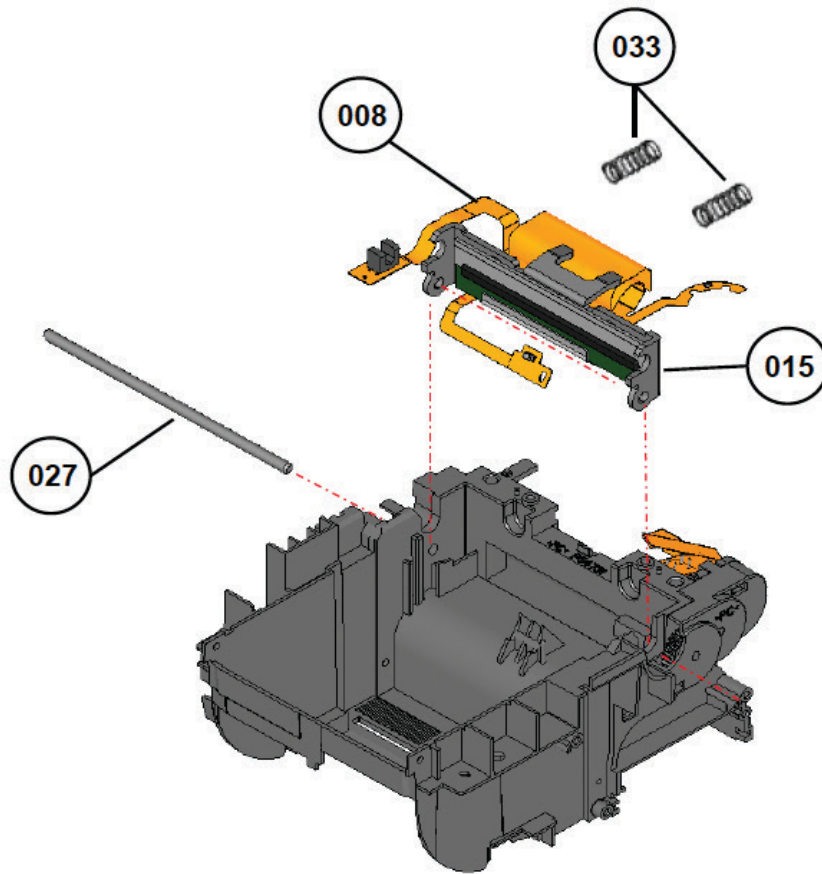
No	Part No.	Description	Note
014	K00513900	STEPPING MOTOR	Recommended Spare Part
044	P54731005	ENGINE FRAME	
054	P54738001	GEAR COVER	
060	P49734000	GEAR IDLE B	Recommended Spare Part
061	P49733000	GEAR IDLE A	Recommended Spare Part
064	M16250000	PAN HEAD SCREW+SW+WS	

Fig 01



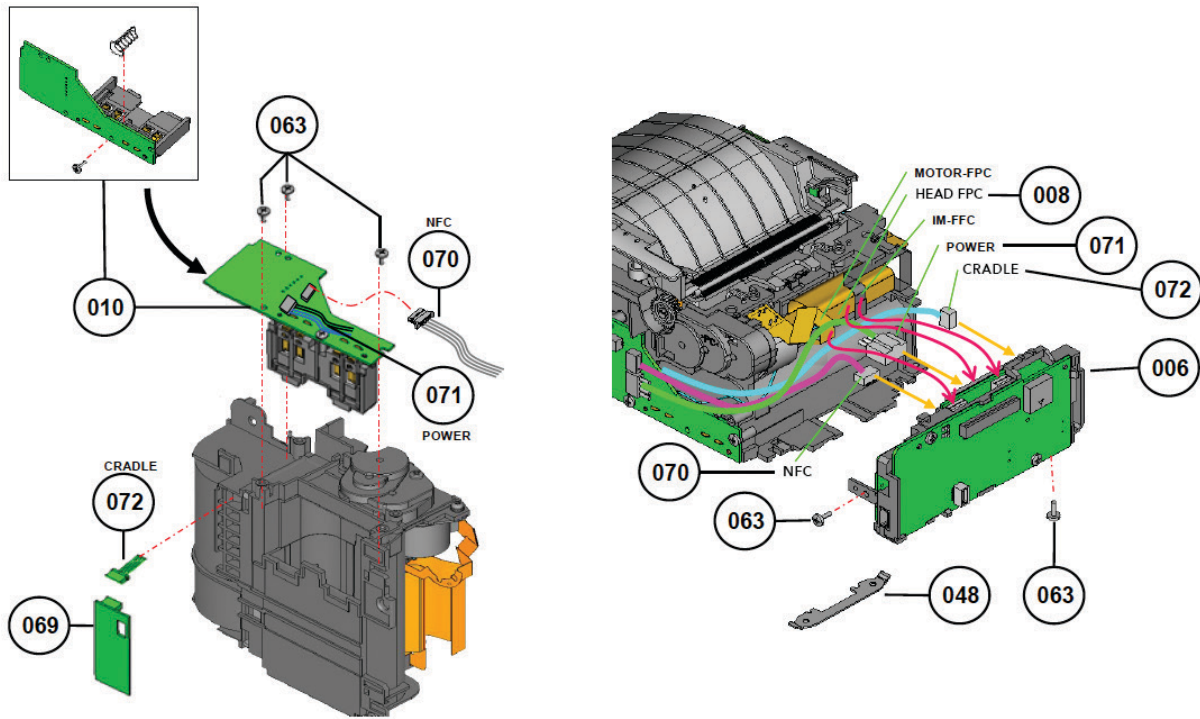
No	Part No.	Description	Note
008	R29823001	PW2 HEAD FPC SET -LF	Recommended Spare Part
015	H03297900	THERMAL HEAD SET	Recommended Spare Part
027	P56170400	SHAFT (HEAD BR)	
033	P56169800	SPRING (HEAD)	

Fig 02



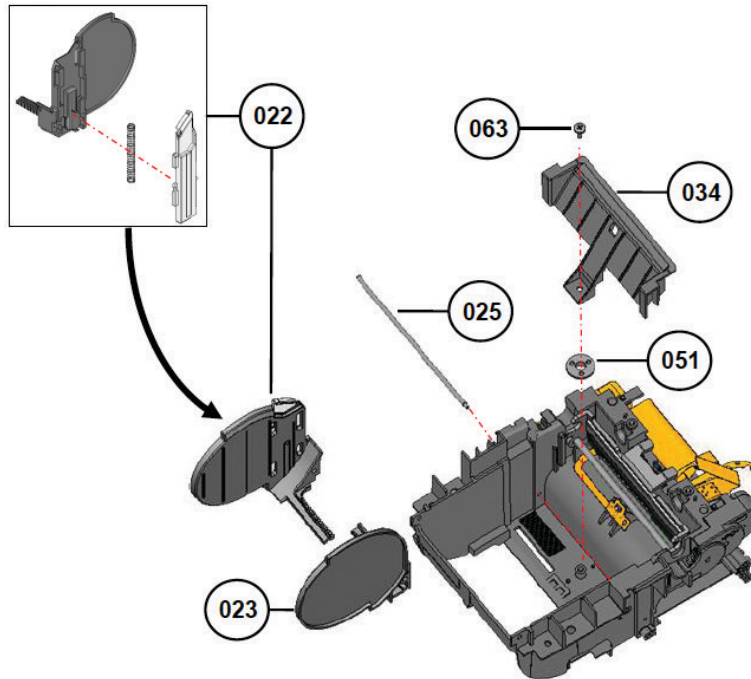
No	Part No.	Description	Note
006	R34319602	PW2NX CONT PCB (iOS) SUB ASSY	Recommended Spare Part
008	R29823001	PW2 HEAD FPC SET -LF	Recommended Spare Part
010	R33805300	PW2NX-CONT PCB SUB ASSY-LF	Recommended Spare Part
048	P54755000	SUPPORT PLATE	
063	M16249000	BIND HEAD P TIGHT SCREW	
069	R33855100	PW2NX-CRADLE PCB SET-LF	
070	R33855200	NFC CABLE SET-LF	
071	R33853100	POWER CABLE SET-LF	
072	R33855100	CRADLE CABLE SET-LF	

Fig 03



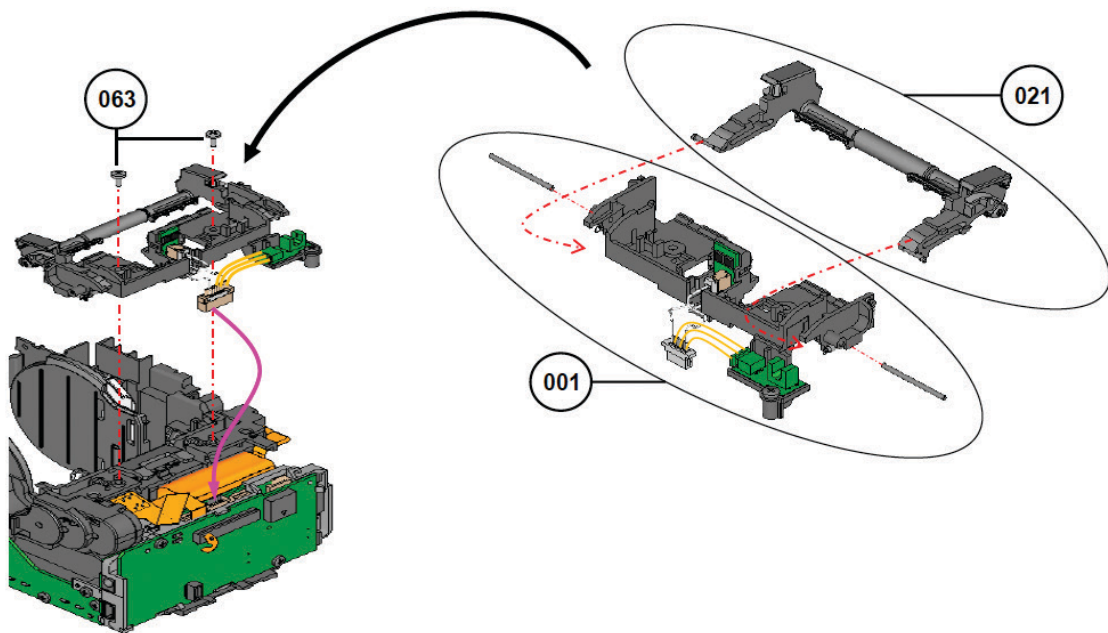
No	Part No.	Description	Note
022	P56322303	LABEL GUIDE R SET	
023	P54749000	LABEL GUIDE L	
025	P56170600	SHAFT (LABEL GUIDE)	
034	P54741001	GAP COVER	
051	P54748000	GEAR (LABEL GUIDE)	
063	M16249000	BIND HEAD P TIGHT SCREW	

Fig 04



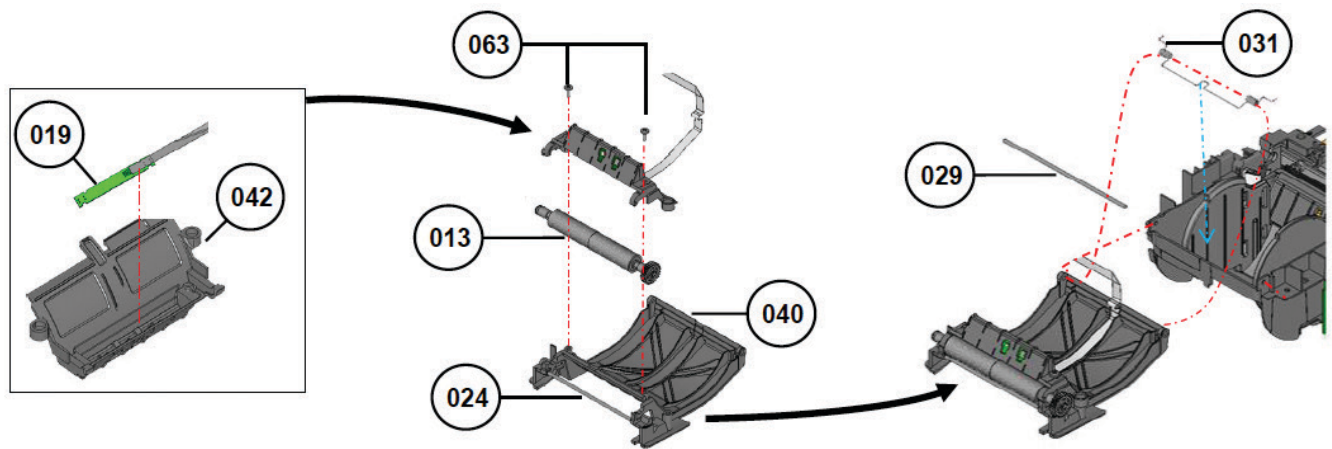
No	Part No.	Description	Note
001	R34595101	DISPENSE BASE SUB ASSY	
021	R32320301	DISPENSE ARM SET	
063	M16249000	BIND HEAD P TIGHT SCREW	

Fig 05



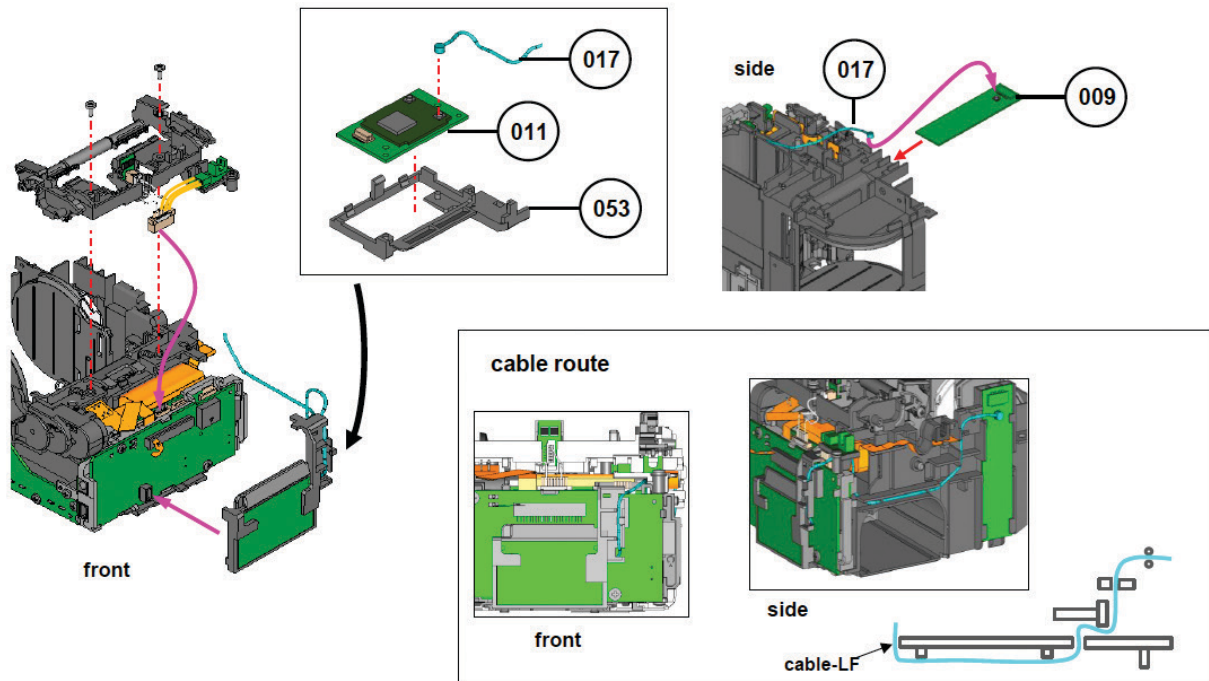
No	Part No.	Description	Note
013	P56215800	PLATEN ROLLER SUB ASSY	Recommended Spare Part
019	R33853500	PW2NX-IM (C) GAP PCB SET-LF	
024	P56170700	DISPENSE BAR	
029	P56170300	SHAFT (OPEN COVER)	
031	P56169900	SPRING (OPEN COVER)	
040	P54733004	OPEN COVER	
042	P54732005	INNER COVER	
063	M16249000	BIND HEAD P TIGHT SCREW	

Fig 06



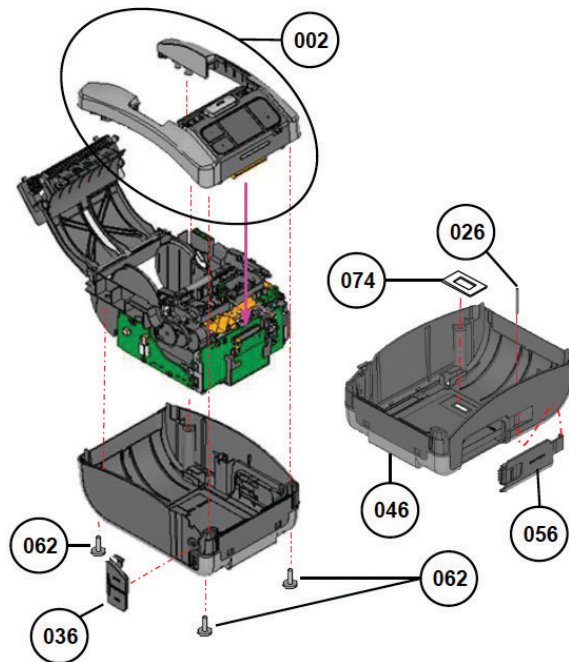
No	Part No.	Description	Note
009	R29822001	PW2-ANT PCB SET -LF	Recommended Spare Part
011	R35347800	WLAN PCB ASSY-LF	Recommended Spare Part
017	H02708000	CABLE -LF	
053	P54742003	HOLDER (W-LAN)	

Fig 07



No	Part No.	Description	Note
002	R34319101	TOP COVER SUB ASSY	
026	P56170500	SHAFT (BATTERY COVER)	
036	P54736000	IF COVER	
046	R34317100	BOTTOM COVER (SILK)	
056	R34319301	BATTERY COVER SUB ASSY	
062	MH0300821	PAN HEAD P TIGHT SCREW	
074	P58095901	CUSHION (CRADLE)	

Fig 08



No	Part No.	Description	Note
049	P54753000	BELT CLIP	
050	P54752001	CLIP BASE	
075	MD4200627	PAN HEAD SCREW+SW+WL	
076	Q04966501	CARTON CASE (PRINT)	
077	Q04954601	PAD	

Fig 09

