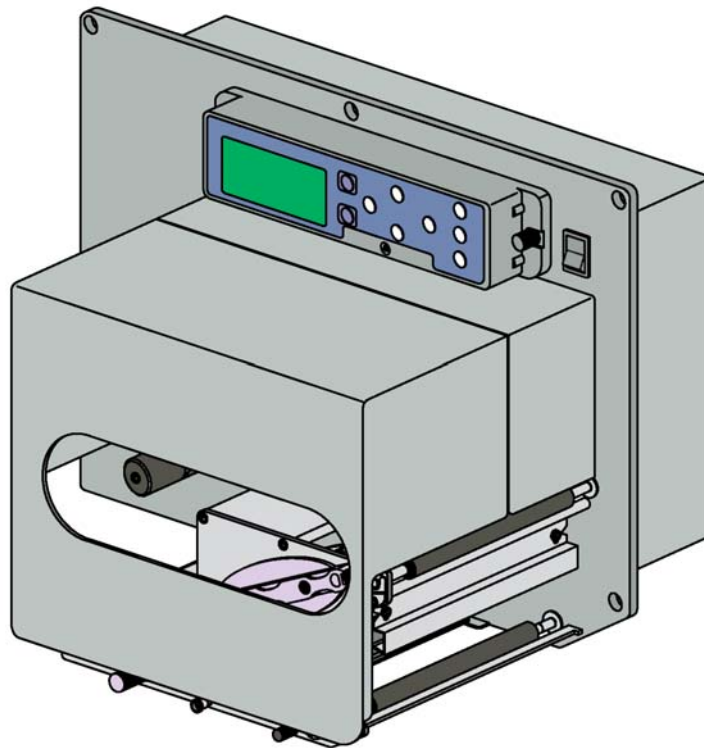




DCS & Labeling Worldwide

**Lt408
PRINT ENGINE**



PARTS LIST

SATO America, Inc.

**10350A Nations Ford Road
Charlotte, NC 28273**

Main Phone: (704) 644.1650

Technical Support Hotline: (704) 644.1660

Technical Support Fax: (704) 644.1661

E-Mail: satosales@satoamerica.com

technicalsupport@satoamerica.com

www.satoamerica.com

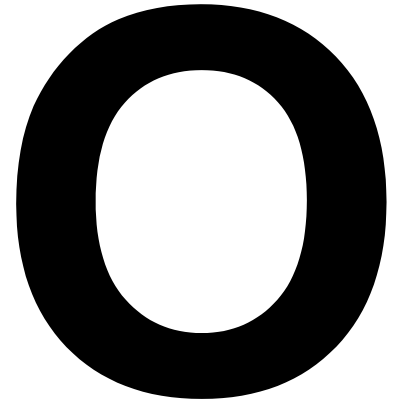
TABLE OF CONTENTS

OPPOSITE (LEFT HAND)

Cover	O-1
Housing Cover Assembly	O-2
Operator Panel Assembly	O-5
Print Assembly	O-6
Ribbon Spindle Assembly	O-9
Drive Train Assembly	O-11
Roller Assembly	O-13
Circuit Board Assembly	O-14
Chassis Assembly	O-15
Frame Assembly	O-18
Accessories & Options	O-20

STANDARD (RIGHT HAND)

Cover	S-1
Housing Cover Assembly	S-2
Operator Panel Assembly	S-5
Print Assembly	S-6
Ribbon Spindle Assembly	S-9
Drive Train Assembly	S-11
Roller Assembly	S-13
Circuit Board Assembly	S-14
Chassis Assembly	S-15
Frame Assembly	S-18
Accessories & Options	S-20



PARTS LIST

- **Housing Cover Assembly**
- **Operator Panel Assembly**
- **Print Assembly**
- **Ribbon Spindle Assembly**
- **Drive Train Assembly**
- **Roller Assembly**
- **Circuit Board Assembly**
- **Chassis Assembly**
- **Frame Assembly**
- **Accessories & Options**

HOUSING COVER ASSEMBLY

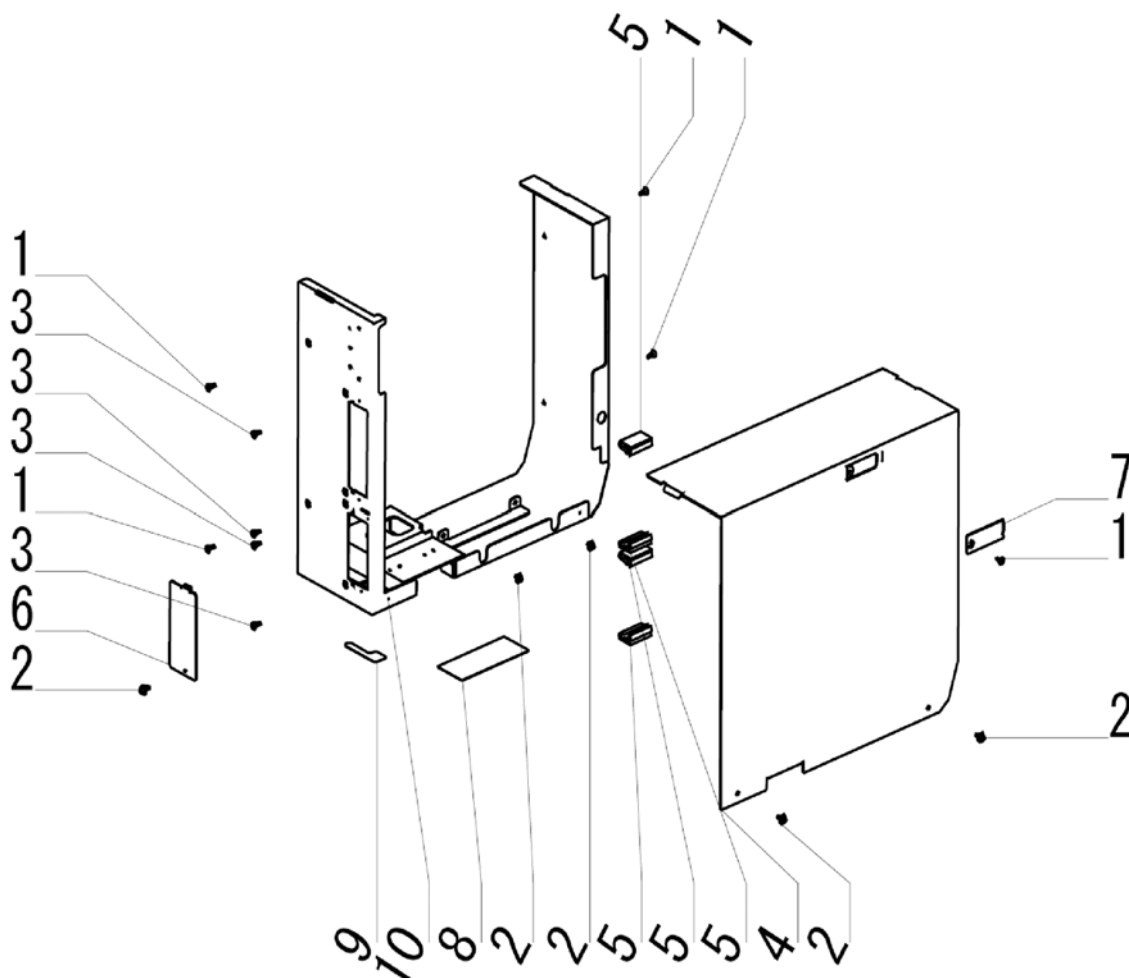


Figure PL1a, Housing Cover Assembly (1)

HOUSING COVER ASSEMBLY (1)		
ITEM	PART NUMBER	PART DESCRIPTION
1	MA1300622	FLAT HEAD SCREW
2	MD4300822	PAN HEAD SCREW W/SPRING WASHER & WIDE FLAT WASHER
3	MH1300822	FLAT HEAD SCREW, P-TIGHT
4	P14122000	REAR HOUSING COVER
5	P15944010	GUIDE RAIL
6	P16550000	EXT COVER
7	P16621000	COVER (VOLUME CAP)
8	Q01373000	STICKER, CAUTION
9	Q01374000	STICKER, AC/FUSE
10	R05940000	REAR SIDE HOUSING COVER

Opposite

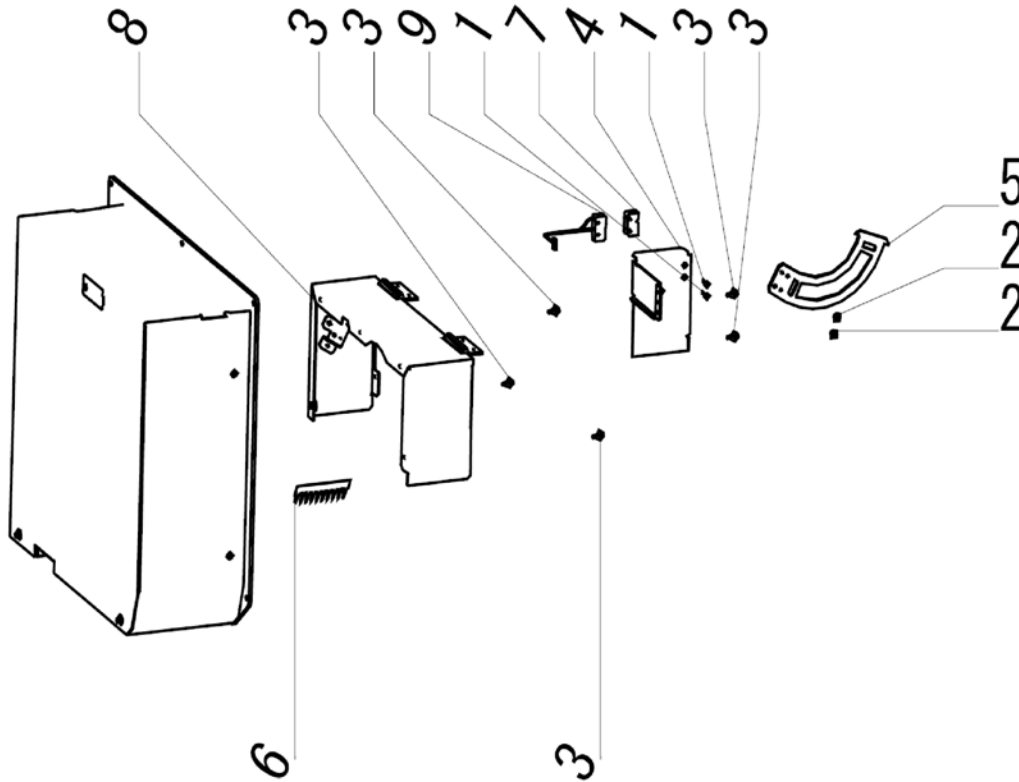


Figure PL2a, Housing Cover Assembly (2)

HOUSING COVER ASSEMBLY (2)		
ITEM	PART NUMBER	PART DESCRIPTION
1	MD3201022	PAN HEAD SCREW W/SPRING WASHER & NARROW FLAT WASHER
2	MD3300622	PAN HEAD SCREW W/SPRING WASHER & NARROW FLAT WASHER
3	MD4300822	PAN HEAD SCREW W/SPRING WASHER & WIDE FLAT WASHER
4	P14086000	COVER-OPEN BRACKET
5	P16740010	PLATE ARM
6	P16765000	ANTI-STATIC SHEET
7	PA6730300	SENSOR COVER
8	R05941010	FRONT SIDE HOUSING COVER
9	R07109000	COVER-OPEN SENSOR ASSEMBLY

Opposite

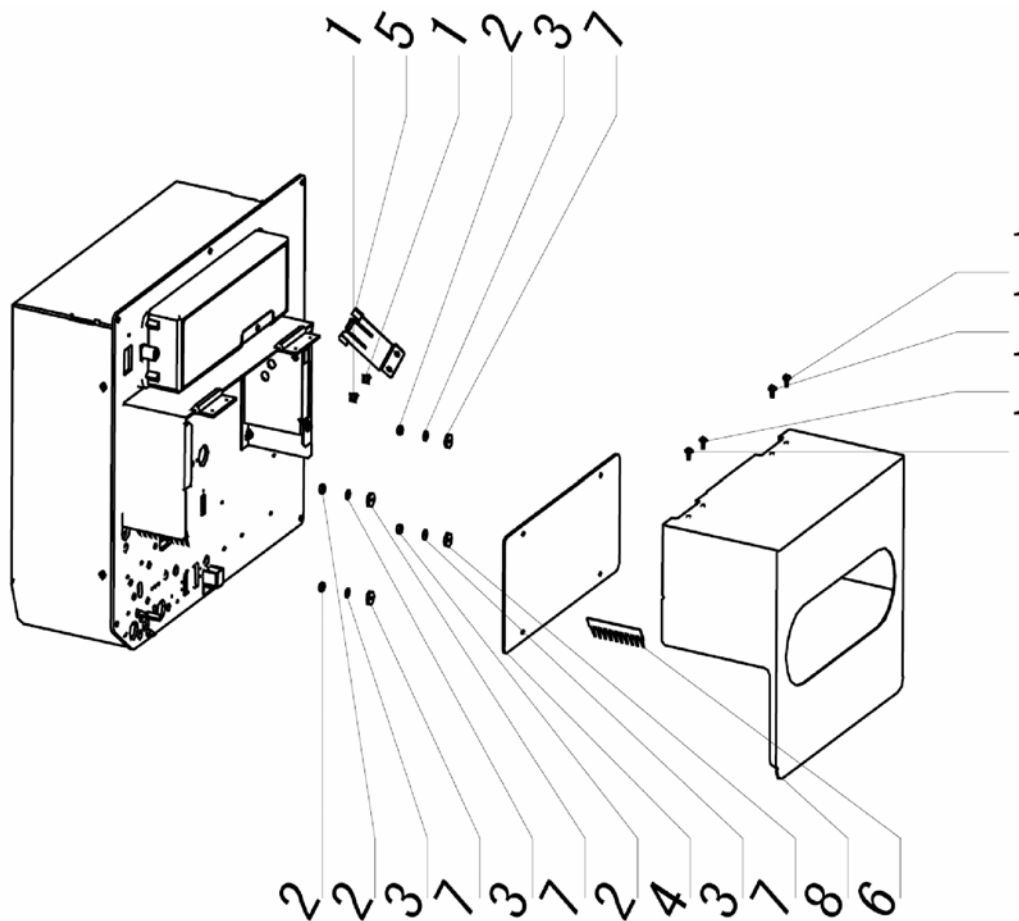


Figure PL3a, Housing Cover Assembly (3)

HOUSING COVER ASSEMBLY (3)		
ITEM	PART NUMBER	PART DESCRIPTION
1	MA7300628	TRUSS SCREW
2	MT1300022	NUT
3	NA1030022	WIDE FLAT WASHER
4	P14038000	WINDOW PANE
5	P16741011	PLATE STOPPER
6	P16765000	ANTI-STATIC SHEET
7	P18824000	FELT WASHER
8	R07433010	FRONT HOUSING COVER, HINGED

OPERATOR PANEL ASSEMBLY

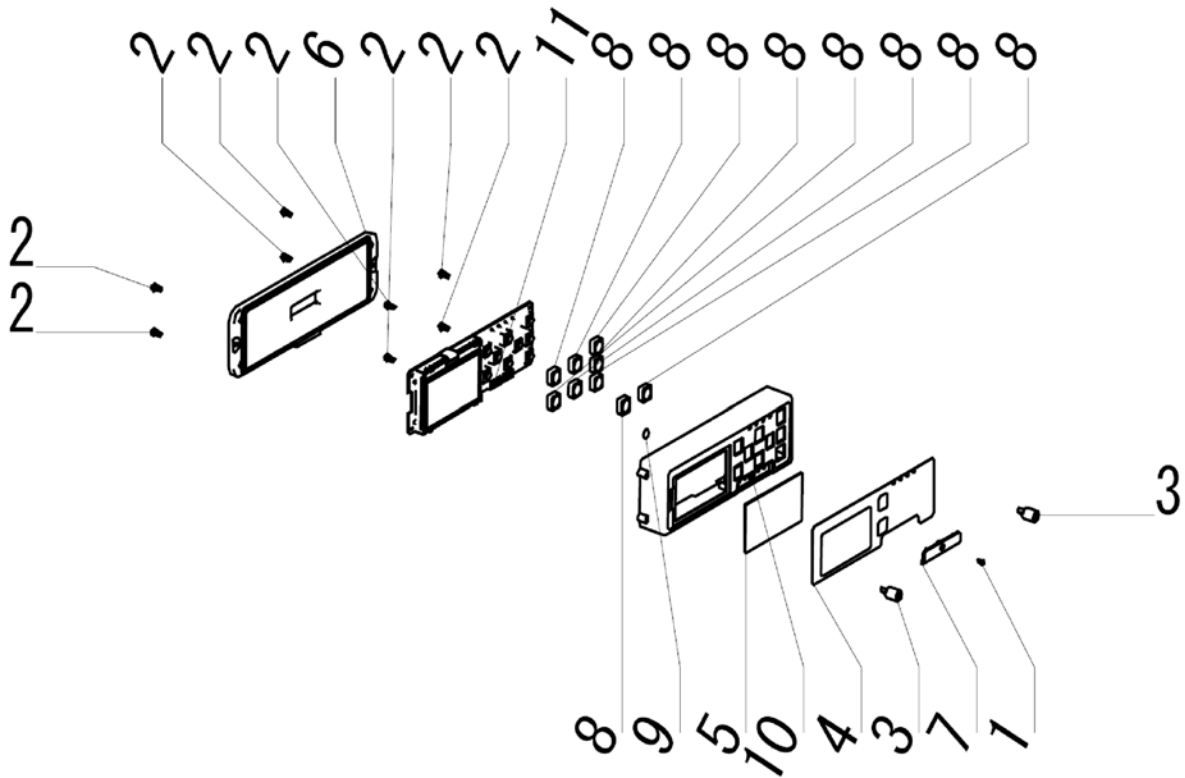


Figure PL4a, Operator Panel Assembly (1)

OPERATOR PANEL ASSEMBLY (1)		
ITEM	PART NUMBER	PART DESCRIPTION
1	MD3250622	PAN HEAD SCREW W/SPRING WASHER & NARROW FLAT WASHER
2	MH0300822	PAN HEAD SCREW, P-TIGHT
3	P13748010	SCREW, PANEL
4	P14036000	PROTECT SHEET
5	P14037000	LCD PROTECTOR
6	P15942000	PANEL BASE
7	P15943000	VOLUME COVER
8	P16768000	SPACER, PANEL SWITCH
9	P18934000	PCB PROTECTOR
10	R07309000	PANEL COVER
11	R07452010	PANEL CIRCUIT BOARD ASSEMBLY

PRINT ASSEMBLY

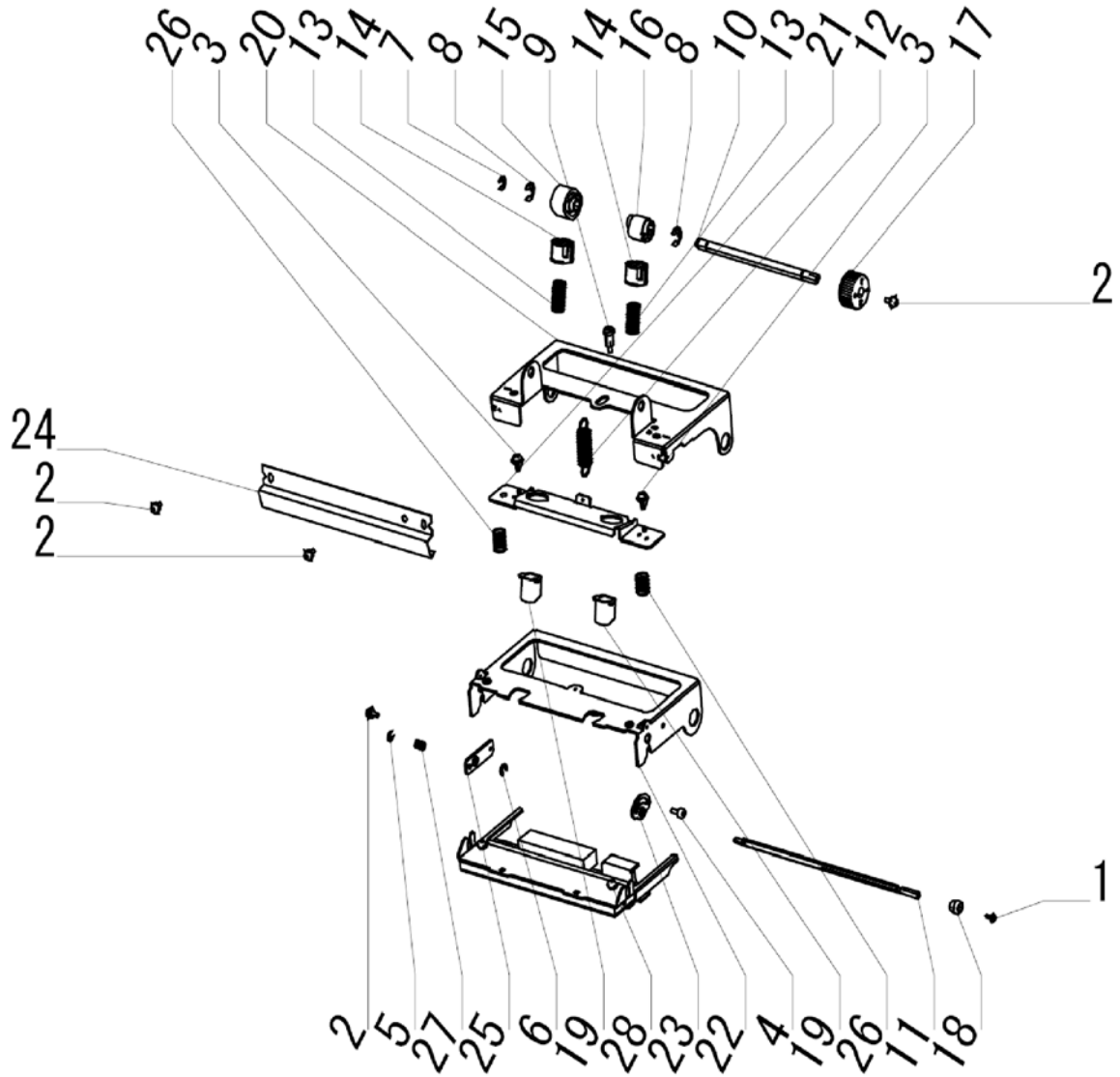


Figure PL5a, Print Assembly (1)

PRINT ASSEMBLY (1)		
ITEM	PART NUMBER	PART DESCRIPTION
1	MD3200622	PAN HEAD SCREW W/SPRING WASHER & NARROW FLAT WASHER
2	MD3300622	PAN HEAD SCREW W/SPRING WASHER & NARROW FLAT WASHER
3	MD4300822	PAN HEAD SCREW W/SPRING WASHER & WIDE FLAT WASHER
4	MN1300625	ALLEN SCREW
5	ND0025030	SNAP RING, TYPE E, 2.5
6	ND0030030	SNAP RING, TYPE E, 3
7	ND0040030	SNAP RING, TYPE E, 4
8	ND0050030	SNAP RING, TYPE E, 5
9	P13742010	SHAFT, HEAD TENSION
10	P13743020	SHAFT, PRESSURE ADJUSTMENT
11	P13744010	SHAFT, HEAD ADJUSTMENT
12	P13791000	SPRING, HEAD OPEN
13	P14019000	SPRING, HEAD PRESSURE
14	P15933010	SPRING LOCK
15	P15934000	HEAD PRESSURE CAM A
16	P15935000	HEAD PRESSURE CAM B
17	P15936010	KNOB, HEAD PRESSURE
18	P15937010	KNOB, HEAD SLIDE
19	P15938010	PRESSURE CAP
20	P16097000	HEAD TOP BRACKET
21	P16098000	HEAD PRESSURE BRACKET
22	P16099011	HEAD BRACKET
23	P16101011	PLATE, HEAD ADJUSTMENT A
24	P16105000	PLATE, RIBBON ADJUSTMENT
25	P16613000	PLATE , HEAD ADJUSTMENT B
26	P16628000	SPRING, HEAD BRACKET
27	P16629010	SPRING, HEAD LOCK
28	R07333000	PRINT HEAD SUB-ASSEMBLY

Opposite

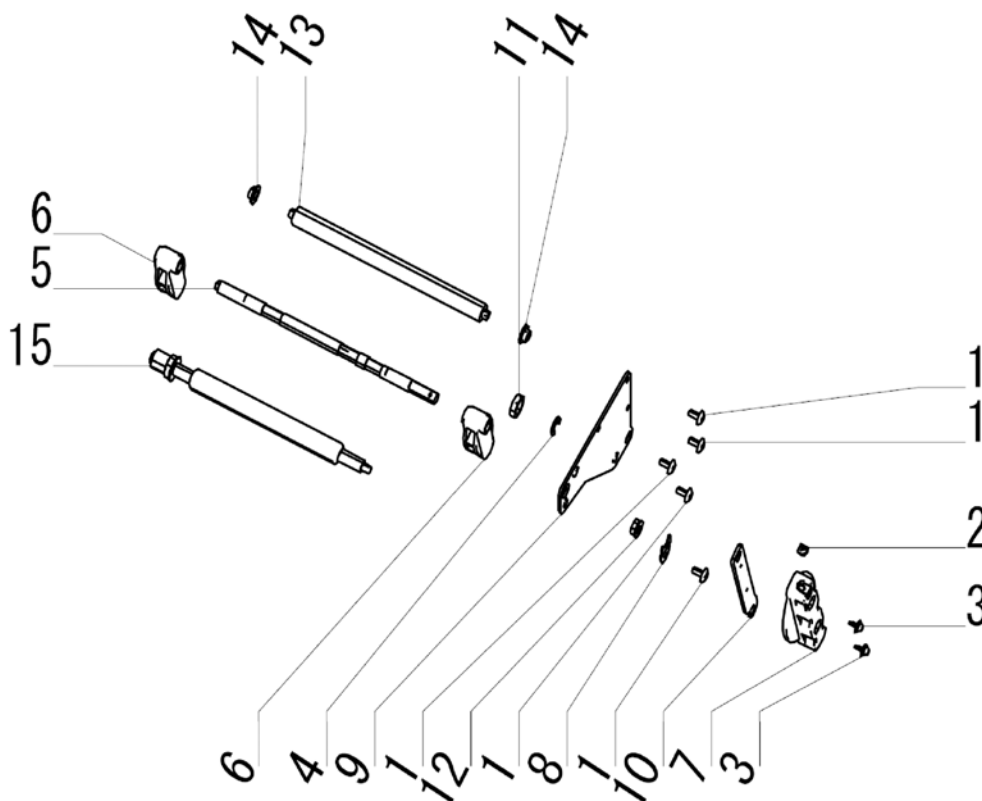


Figure PL5a, Print Assembly (2)

PRINT ASSEMBLY (2)		
ITEM	PART NUMBER	PART DESCRIPTION
1	MA7401028	TRUSS SCREW
2	MD3300622	PAN HEAD SCREW W/SPRING WASHER & NARROW FLAT WASHER
3	MD4300822	PAN HEAD SCREW W/SPRING WASHER & WIDE FLAT WASHER
4	ND0060030	SNAP RING, TYPE E, 6
5	P13746000	SHAFT, HEAD LOCK
6	P15940000	HEAD LOCK CAM
7	P15941000	HEAD LOCK LEVER B
8	P16092000	BEARING CLAMP
9	P16112100	HEAD SLIDE FRAME
10	P16113000	HEAD LOCK LEVER A
11	P16646010	COLLAR, HEAD SHAFT
12	P17491000	ROLLER BEARING
13	PB3770100	ROLLER, 6*12*143
14	PE2770300	COLLAR, 6*8*4F
15	R07336011	RIBBON ROLLER SUB-ASSEMBLY

RIBBON SPINDLE ASSEMBLY

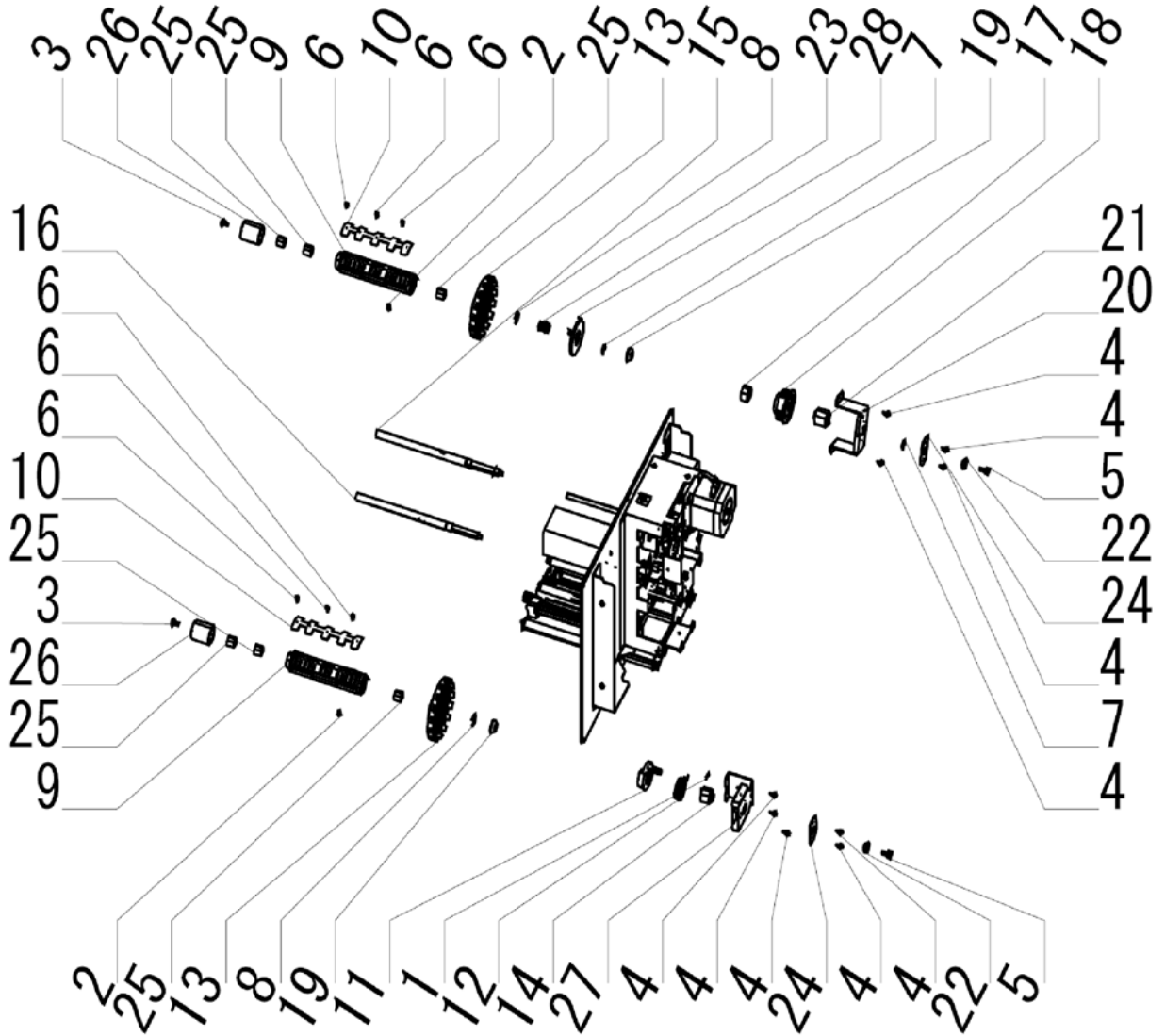


Figure PL7a, Ribbon Spindle Assembly (1)

RIBBON SPINDLE ASSEMBLY (1)		
ITEM	PART NUMBER	PART DESCRIPTION
1	MA0200822	PAN HEAD SCREW
2	MA0300822	PAN HEAD SCREW
3	MA7401028	TRUSS SCREW
4	MD4300822	PAN HEAD SCREW W/SPRING WASHER & WIDE FLAT WASHER
5	MD4401022	PAN HEAD SCREW W/SPRING WASHER & WIDE FLAT WASHER
6	MH0300522	PAN HEAD SCREW, P-TIGHT
7	ND0060030	SNAP RING, TYPE E, 6
8	ND0080030	SNAP RING, TYPE E, 8
9	P00588101	RIBBON BOSS
10	P00626000	SPRING, RIBBON BOSS
11	P11280010	BACK FEED STOPPER
12	P11282010	BACK FEED SPRING
13	P11283000	DISK PLATE
14	P12267000	TORQUE LIMITER, RIBBON SUPPLY
15	P13747000	SHAFT, RIBBON A
16	P13889000	SHAFT, RIBBON B
17	P14225000	ONE-WAY CLUTCH
18	P15159000	RIBBON PULLEY
19	P15601000	BEARING
20	P16114010	RIBBON BRACKET B
21	P16747000	TORQUE LIMITER, RIBBON REWIND
22	P17488000	BALL BEARING
23	P18125000	SPRING, BACK FEED STOPPER
24	PA1731000	ADJUSTMENT PLATE
25	PE2720100	COLLAR, 10*12*10
26	PE2730100	STOPPER COLLAR
27	R07310010	RIBBON BRACKET SET
28	R08411000	FELT SUB-ASSEMBLY

DRIVE TRAIN ASSEMBLY

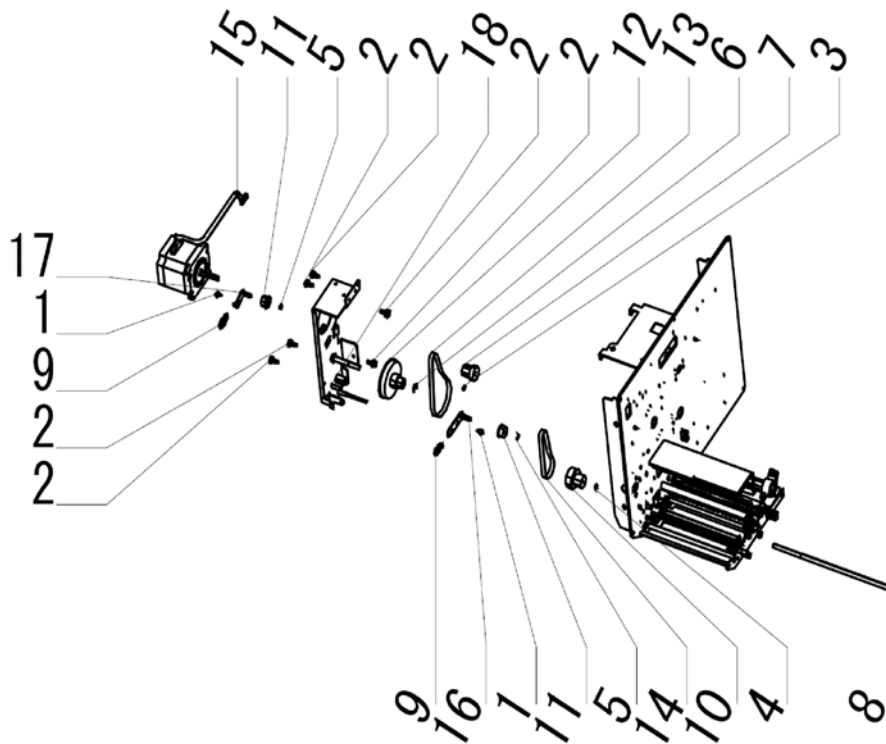


Figure PL8a, Drive Train Assembly (1)

DRIVE TRAIN ASSEMBLY (1)		
ITEM	PART NUMBER	PART DESCRIPTION
1	MD4300822	PAN HEAD SCREW W/SPRING WASHER & WIDE FLAT WASHER
2	MD4401022	PAN HEAD SCREW W/SPRING WASHER & WIDE FLAT WASHER
3	MJ1400622	SET SCREW, ALLEN, WITH POINT
4	ND0030030	SNAP RING, TYPE E, 3
5	ND0040030	SNAP RING, TYPE E, 4
6	ND0060030	SNAP RING, TYPE E, 6
7	P11157001	MOTOR PULLEY
8	P13724010	SHAFT, FEED
9	P13782000	SPRING, FELT TENSION
10	P13862010	GEAR/PULLEY, 20/40 RESPECTIVELY
11	P13863000	TENSION ROLLER
12	P13864000	GEAR/PULLEY, 22 & 77/20 RESPECTIVELY
13	P16067000	TIMING BELT, STEPPER MAIN, 260
14	P16068000	TIMING BELT, PLATEN DRIVE, 186
15	P16780000	STEPPER MOTOR, LEFT FEED
16	R05788000	TENSION BRACKET A
17	R05789000	TENSION BRACKET B
18	R07304000	MOTOR BRACKET

Opposite

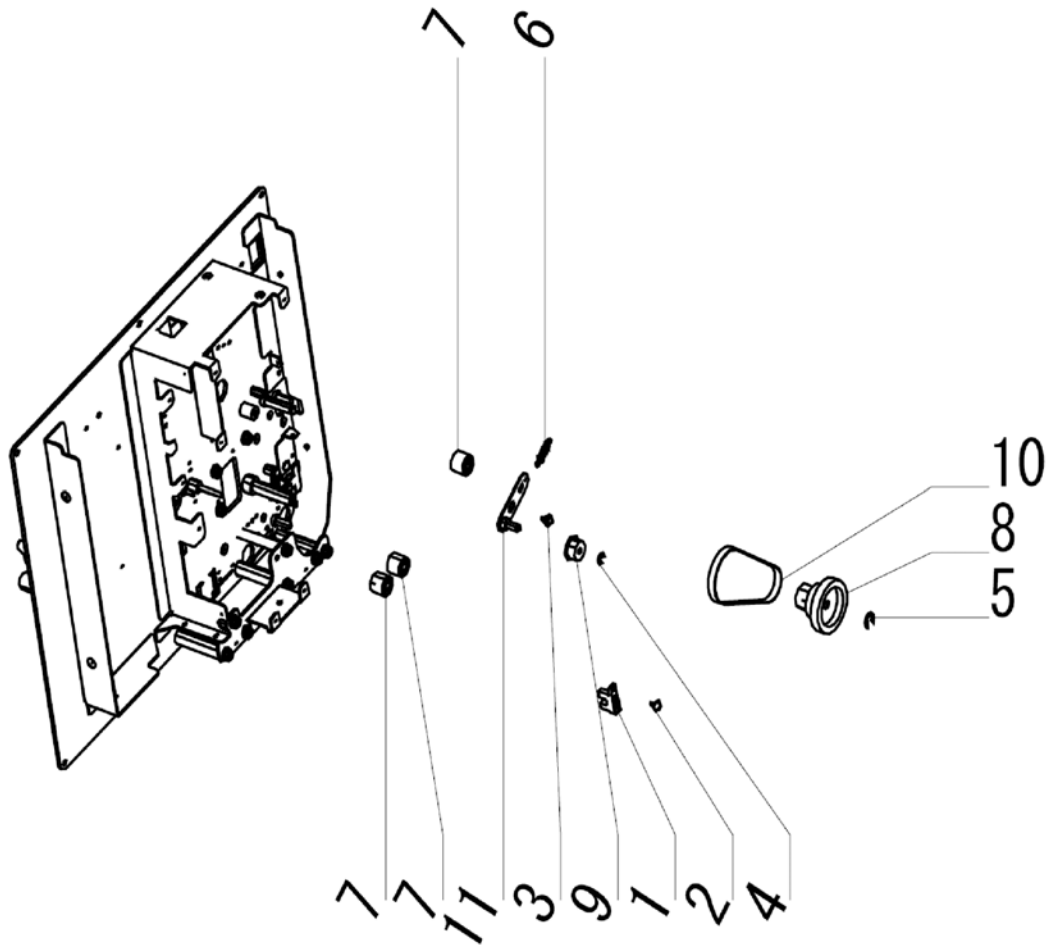


Figure PL9a, Drive Train Assembly (2)

DRIVE TRAIN ASSEMBLY (2)		
ITEM	PART NUMBER	PART DESCRIPTION
1	F00177000	PHOTO INTERRUPTER
2	MD3300622	PAN HEAD SCREW W/SPRING WASHER & NARROW FLAT WASHER
3	MD4300822	PAN HEAD SCREW W/SPRING WASHER & WIDE FLAT WASHER
4	ND0040030	SNAP RING, TYPE E, 4
5	ND0050030	SNAP RING, TYPE E, 5
6	P13782000	SPRING, BELT TENSION
7	P13860000	GEAR, 18
8	P13861000	GEAR/PULLEY, 47/22 & 38 RESPECTIVELY
9	P13863000	TENSION ROLLER
10	P16962000	TIMING BELT, RIBBON DRIVE, 218
11	R05788000	TENSION BRACKET A

ROLLER ASSEMBLY

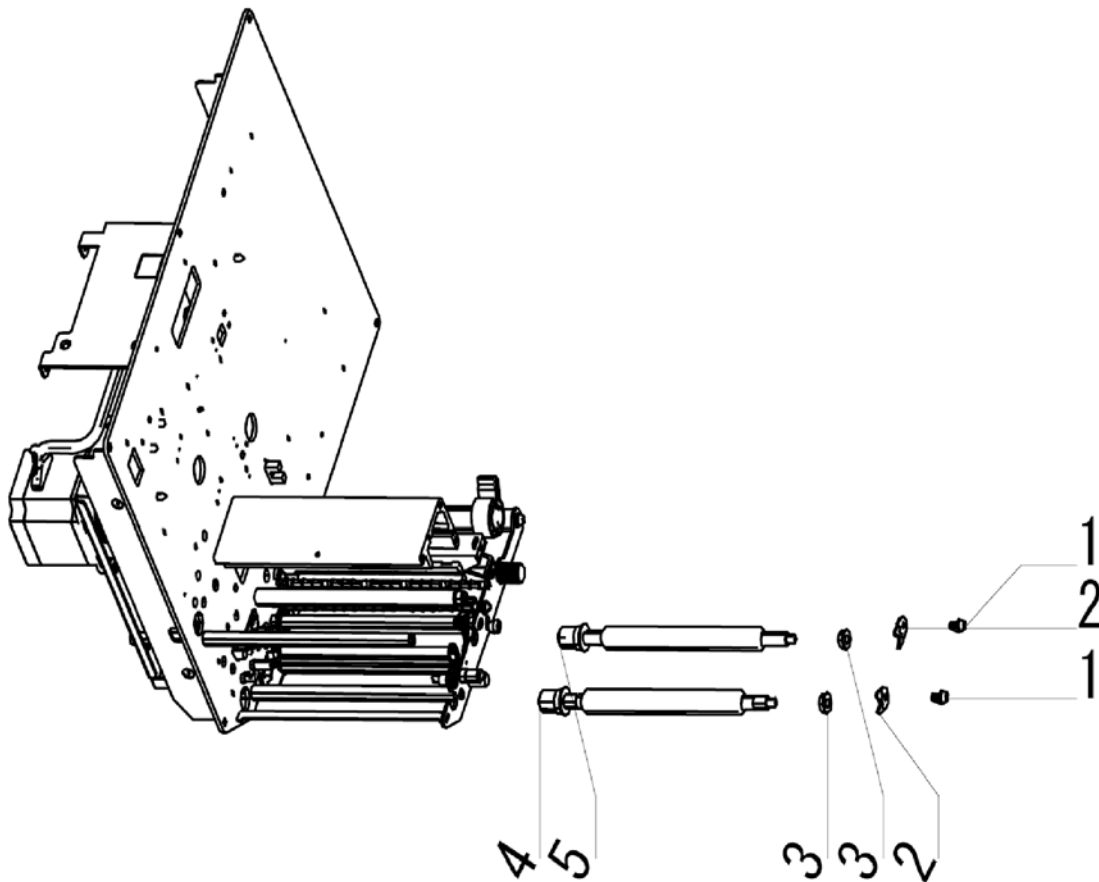


Figure PL10a, Roller Assembly (1)

DRIVE TRAIN ASSEMBLY (2)		
ITEM	PART NUMBER	PART DESCRIPTION
1	MD4400828	PAN HEAD SCREW W/SPRING WASHER & WIDE FLAT WASHER
2	P16092000	BEARING CLAMP
3	P17491000	BALL BEARING
4	R07323010	PLATEN ROLLER SUB-ASSEMBLY A
5	R07324001	PLATEN ROLLER SUB-ASSEMBLY B

CIRCUIT BOARD ASSEMBLY

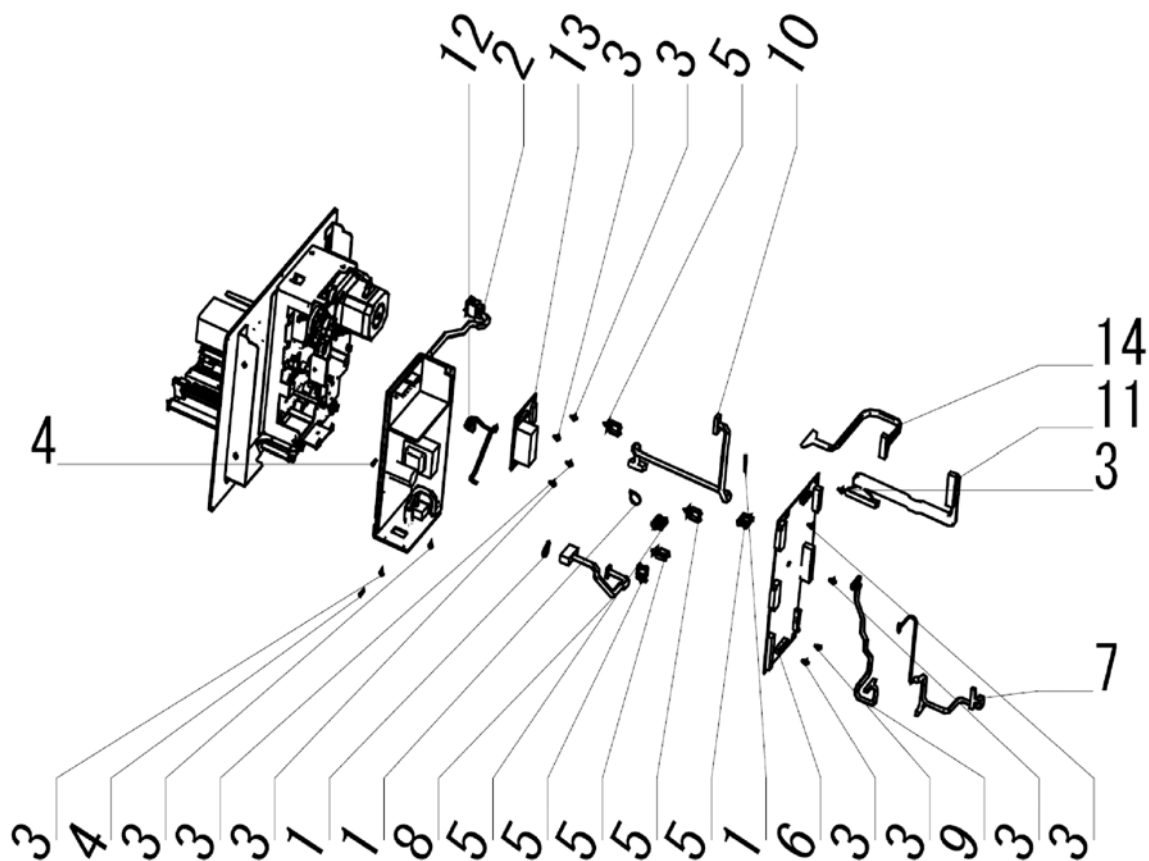


Figure PL11a, Circuit Board Assembly (1)

CIRCUIT BOARD ASSEMBLY (1)		
ITEM	PART NUMBER	PART DESCRIPTION
1	JG100011A	TIE WRAP
2	K00138000	POWER UNIT
3	MD4300822	PAN HEAD SCREW W/SPRING WASHER & WIDE FLAT WASHER
4	MN1300822	ALLEN SCREW
5	P11523000	WIRE SADDLE
6	R09216000	MAIN CIRCUIT BOARD
7	R07103001	SENSOR CABLE SET
8	R07105000	DC POWER CABLE SET
9	R07106000	MOTOR POWER CABLE SET
10	R07107001	HEAD POWER CABLE SET
11	R07108000	HEAD SIGNAL CABLE SET
12	R07112000	HEAD-OPEN CABLE SET
13	R07450000	MOTOR DRIVER CIRCUIT BOARD
14	R07509000	MAIN CIRCUIT BOARD TO MOTOR CIRCUIT BOARD CABLE SET

CHASSIS ASSEMBLY

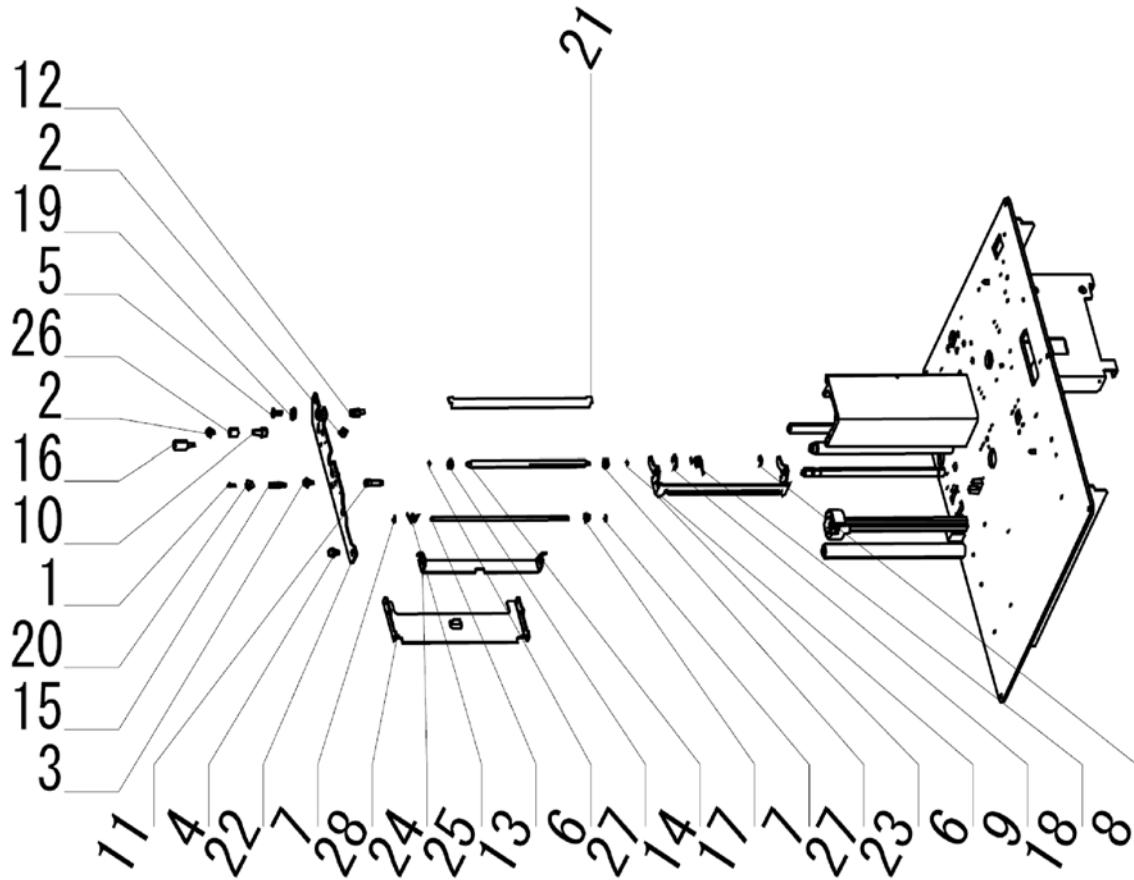


Figure PL12a, Chassis Assembly (1)

CHASSIS ASSEMBLY (1)		
ITEM	PART NUMBER	PART DESCRIPTION
1	MD3200622	PAN HEAD SCREW W/ SPRING WASHER & NARROW FLAT WASHER
2	MD4300622	PAN HEAD SCREW W/ SPRING WASHER & WIDE FLAT WASHER
3	MD4300822	PAN HEAD SCREW W/ SPRING WASHER & WIDE FLAT WASHER
4	MD4400824	PAN HEAD SCREW W/ SPRING WASHER & WIDE FLAT WASHER
5	MJ9300822	THIN HEAD SCREW
6	ND0020030	SNAP RING, TYPE E, 2
7	ND0025030	SNAP RING., TYPE E, 2.5
8	ND0040030	SNAP RING, TYPE E, 4
9	ND0060030	SNAP RING, TYPE E, 6
10	P13732010	POST, LATCH
11	P13733010	SHAFT, SPRING STOPPER A
12	P13734010	PIN, HEAD LOCK B
13	P13736000	SHAFT, PRESSURE ROLLER
14	P13737000	PRESSURE ROLLER
15	P13738010	KNOB, LOCK LEVER
16	P13740010	KNOB, PRESSURE ROLLER
17	P13785000	SPRING, PRESSURE ROLLER A
18	P13786000	SPRING, LOCK LEVER
19	P13960000	HEAD ADJUSTMENT BRACKET
20	P15937010	KNOB, HEAD SLIDE
21	P16090000	DISPENSER PLATE
22	P16091000	SIDE FRAME
23	P16093011	LOCK LEVER
24	P16095000	PRESSURE BRACKET
25	P16323000	SPRING, PRESSURE ROLLER B
26	P16645000	COLLAR, 5.1*7*8
27	P17487000	BALL BEARING
28	R05793000	PRESSURE BRACKET/PLATE

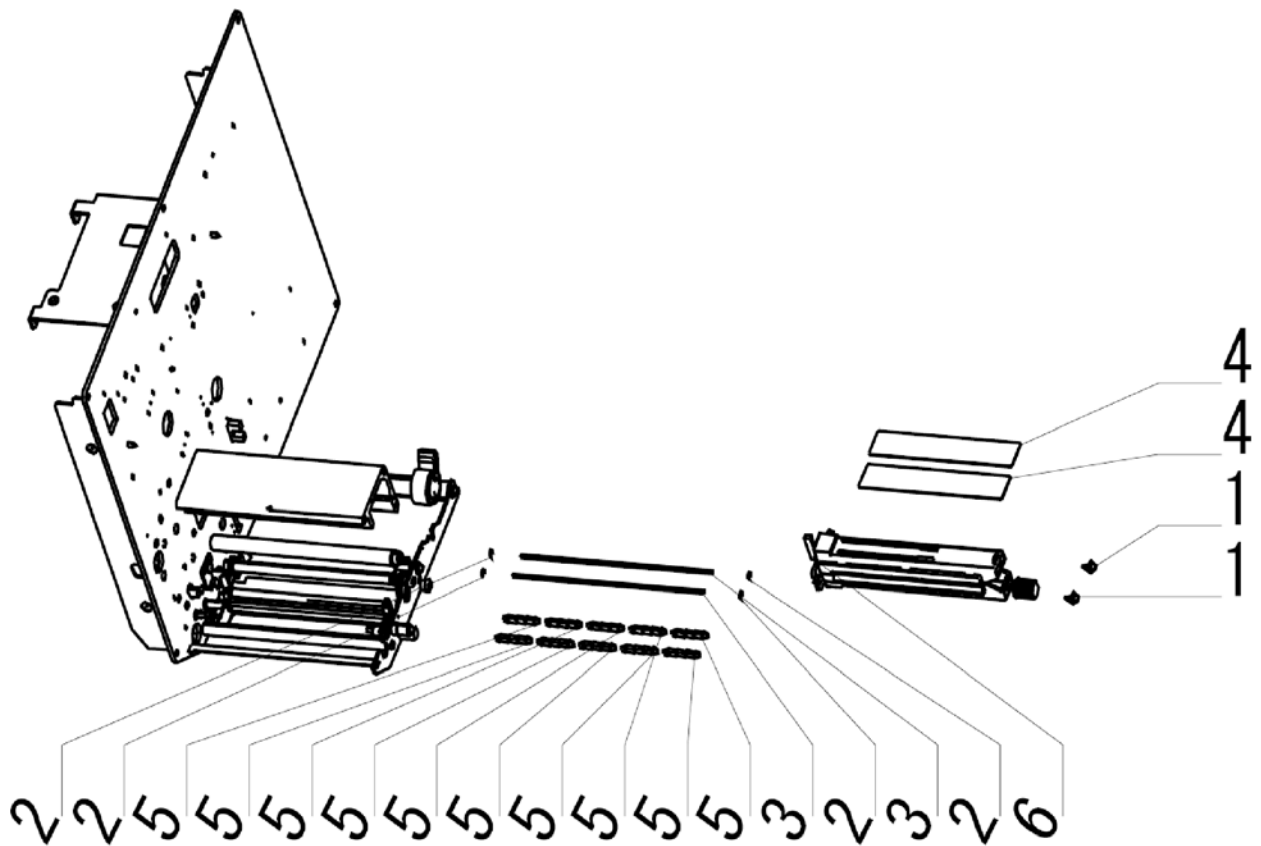


Figure PL13a, Chassis Assembly (2)

CHASSIS ASSEMBLY (2)		
ITEM	PART NUMBER	PART DESCRIPTION
1	MD4300822	PAN HEAD SCREW W/ SPRING WASHER & WIDE FLAT WASHER
2	ND0020030	SNAP RING, TYPE E, 2
3	P13735010	SHAFT, LABEL GUIDE
4	P16117000	SEAT SENSOR
5	PE3520600	DISPENSE ROLLER
6	R07327030	GAP SENSOR SUB-ASSEMBLY

FRAME ASSEMBLY

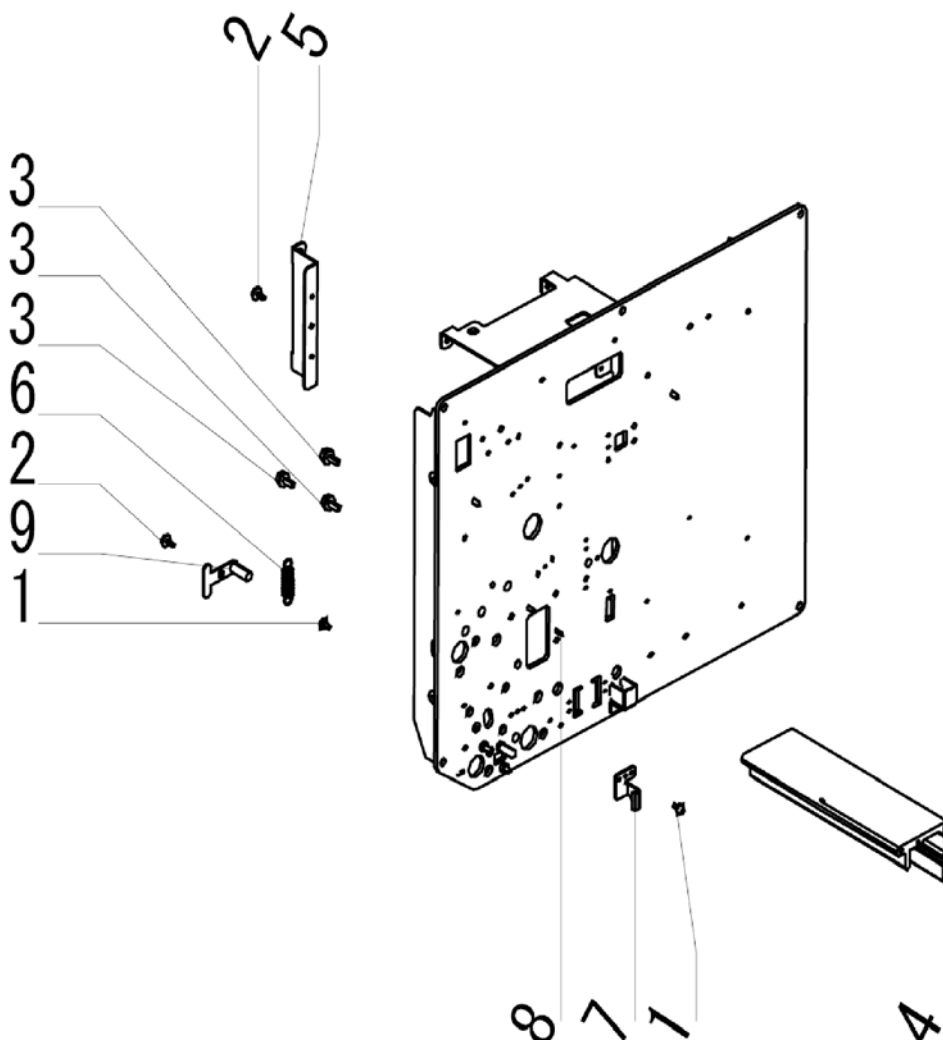


Figure PL14a, Frame Assembly (1)

FRAME ASSEMBLY (1)		
ITEM	PART NUMBER	PART DESCRIPTION
1	MD3300622	PAN HEAD SCREW W/ SPRING WASHER & NARROW FLAT WASHER
2	MD4300822	PAN HEAD SCREW W/ SPRING WASHER & WIDE FLAT WASHER
3	MD4401022	PAN HEAD SCREW W/ SPRING WASHER & WIDE FLAT WASHER
4	P13704010	STAY
5	P16083010	MOTOR CIRCUIT BOARD BRACKET
6	P16637000	SPRING, HEAD SENSOR
7	P18109000	LABEL GUIDE BRACKET
8	R05786000	CENTER FRAME
9	R05787010	HEAD LOCK BRACKET

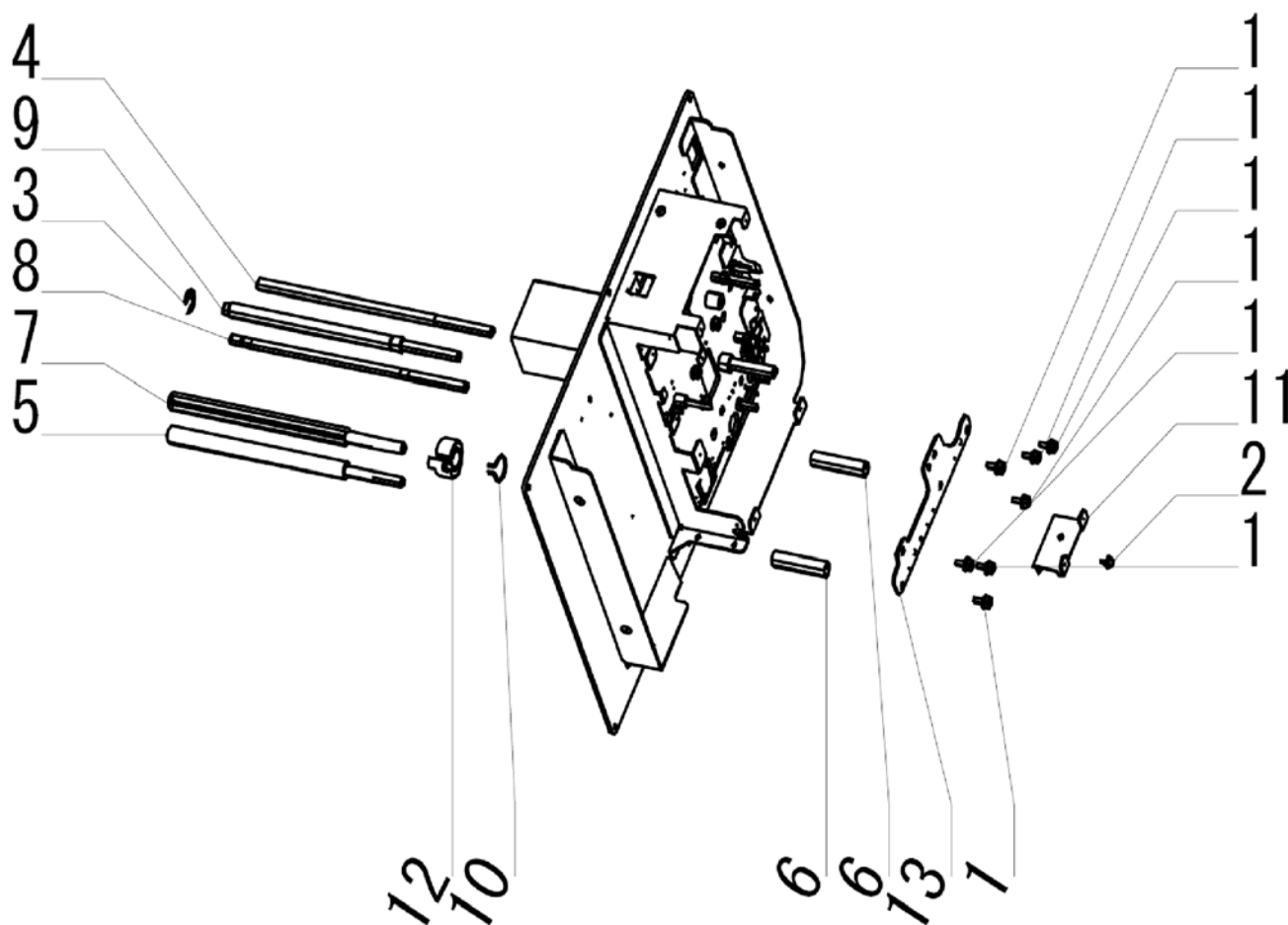


Figure PL15a, Frame Assembly (2)

FRAME ASSEMBLY (2)		
ITEM	PART NUMBER	PART DESCRIPTION
1	MD3401022	PAN HEAD SCREW W/ SPRING WASHER & NARROW FLAT WASHER
2	MD4300822	PAN HEAD SCREW W/ SPRING WASHER & WIDE FLAT WASHER
3	ND0080030	SNAP RING, TYPE E, 8
4	P13724010	SHAFT, FEED
5	P13726010	SHAFT, LABEL
6	P13727010	COLLAR, FEED
7	P13728020	SHAFT, PAPER GUIDE
8	P13739000	SHAFT, PRESSURE
9	P13741000	SHAFT, HEAD
10	P13793010	SPRING, LABEL GUIDE
11	P14085010	MAIN CIRCUIT BOARD BRACKET
12	P15927000	LABEL GUIDE
13	P16085010	SUPPORT FRAME

ACCESSORIES & OPTIONS

ACCESSORIES (1)		
ITEM	PART NUMBER	PART DESCRIPTION
1	H00363002	POWER SUPPLY CORD, 110 VOLT
2	RH1773100	TEST MODULE
3	CV617431A	REAL-TIME CLOCK
4	WCL404051	RS232C HIGH-SPEED SERIAL INTERFACE
5	RJ1772510	RS422/485 SERIAL INTERFACE
6	WCL404070	IEEE1284 PARALLEL INTERFACE
7	11S000358	LOCAL AREA NETWORK (LAN) ETHERNET
8	11S000262	802.11b WIRELESS INTERFACE

S

PARTS LIST

- **Housing Cover Assembly**
- **Operator Panel Assembly**
- **Print Assembly**
- **Ribbon Spindle Assembly**
- **Drive Train Assembly**
- **Roller Assembly**
- **Circuit Board Assembly**
- **Chassis Assembly**
- **Frame Assembly**
- **Accessories & Options**

HOUSING COVER ASSEMBLY

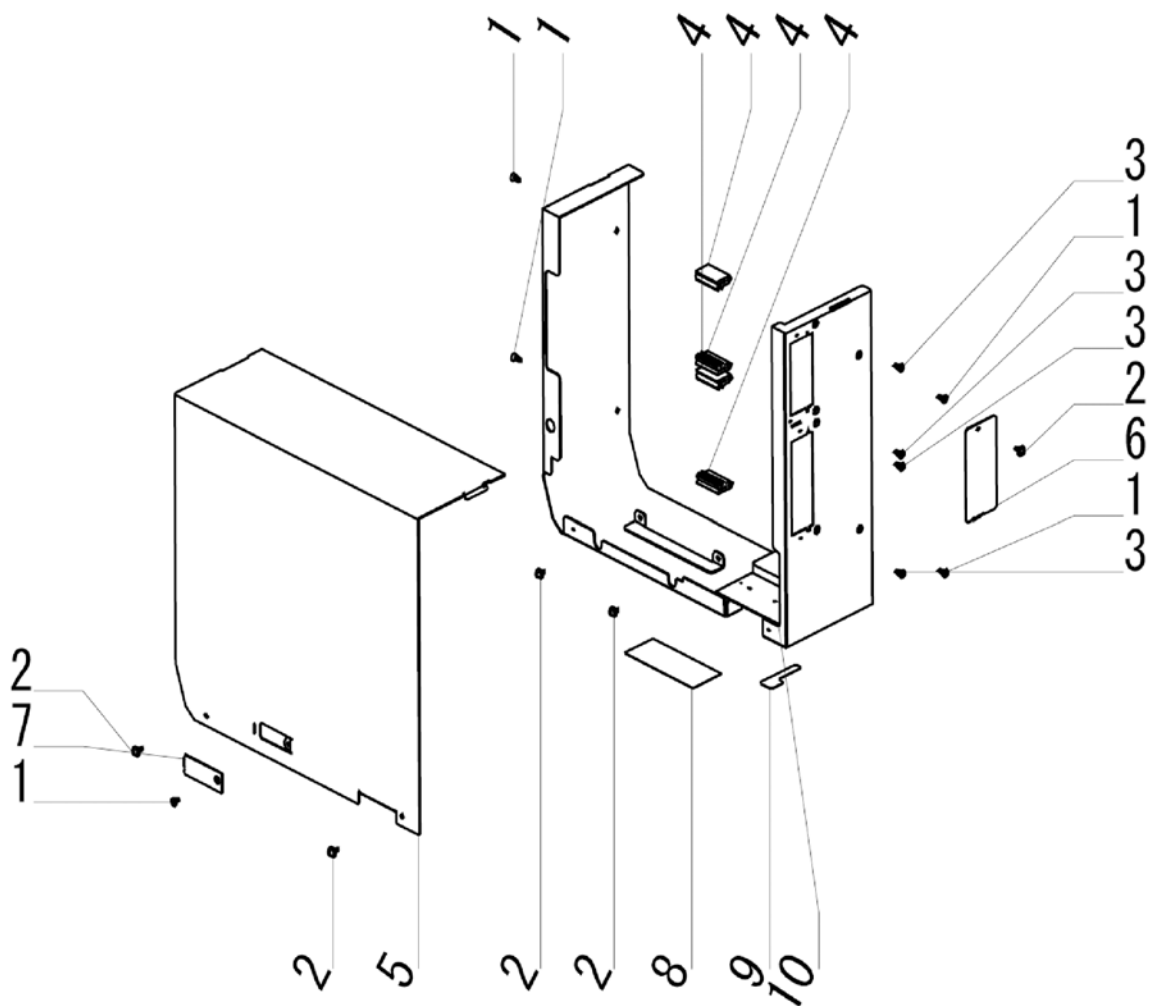


Figure PL1b, Housing Cover Assembly (1)

HOUSING COVER ASSEMBLY (1)		
ITEM	PART NUMBER	PART DESCRIPTION
1	MA1300622	FLAT HEAD SCREW
2	MD4300822	PAN HEAD SCREW W/SPRING WASHER & WIDE FLAT WASHER
3	MH1300822	FLAT HEAD SCREW, P-TIGHT
4	P15944010	GUIDE RAIL
5	P16122000	REAR HOUSING COVER
6	P16550000	EXT COVER
7	P16621000	COVER (VOLUME CAP)
8	Q01373000	STICKER, CAUTION
9	Q01374000	STICKER, AC/FUSE
10	R05889000	REAR SIDE HOUSING COVER

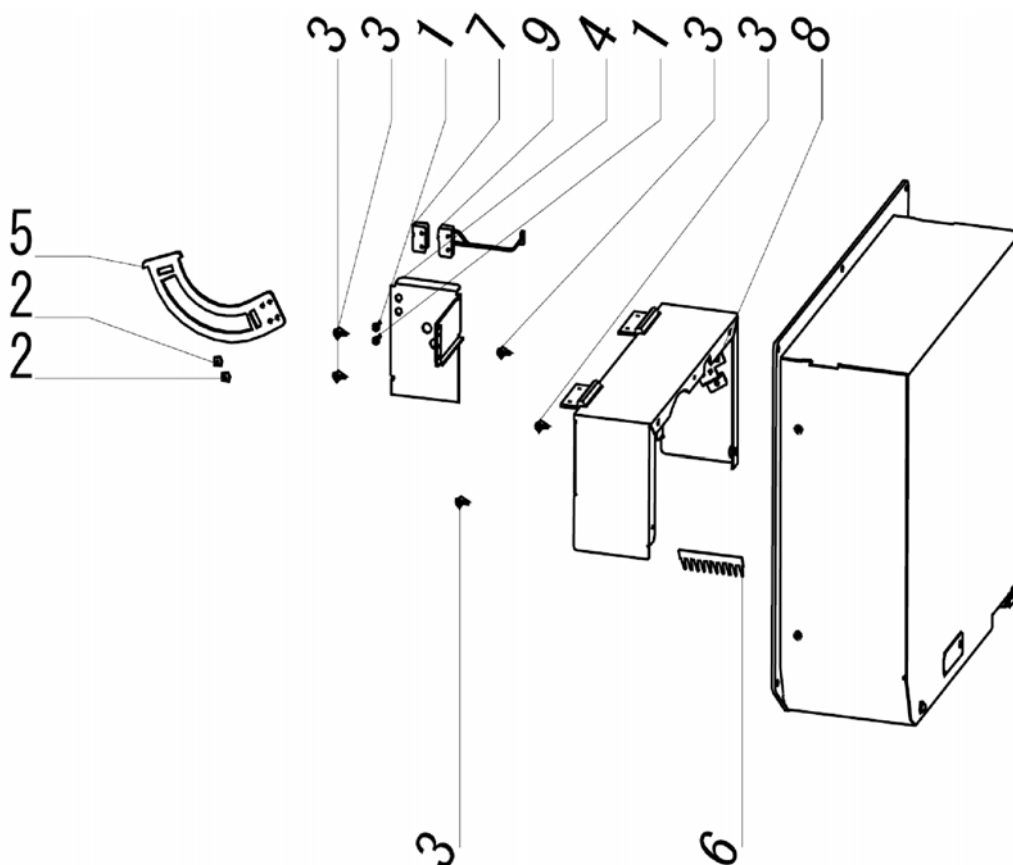


Figure PL2b, Housing Cover Assembly (2)

HOUSING COVER ASSEMBLY (2)		
ITEM	PART NUMBER	PART DESCRIPTION
1	MD3201022	PAN HEAD SCREW W/SPRING WASHER & NARROW FLAT WASHER
2	MD3300622	PAN HEAD SCREW W/SPRING WASHER & NARROW FLAT WASHER
3	MD4300822	PAN HEAD SCREW W/SPRING WASHER & WIDE FLAT WASHER
4	P16262000	COVER-OPEN BRACKET
5	P16740010	PLATE ARM
6	P16765000	ANTI-STATIC SHEET
7	PA6730300	SENSOR COVER
8	R05890010	FRONT SIDE HOUSING COVER
9	R07109000	COVER-OPEN SENSOR ASSEMBLY

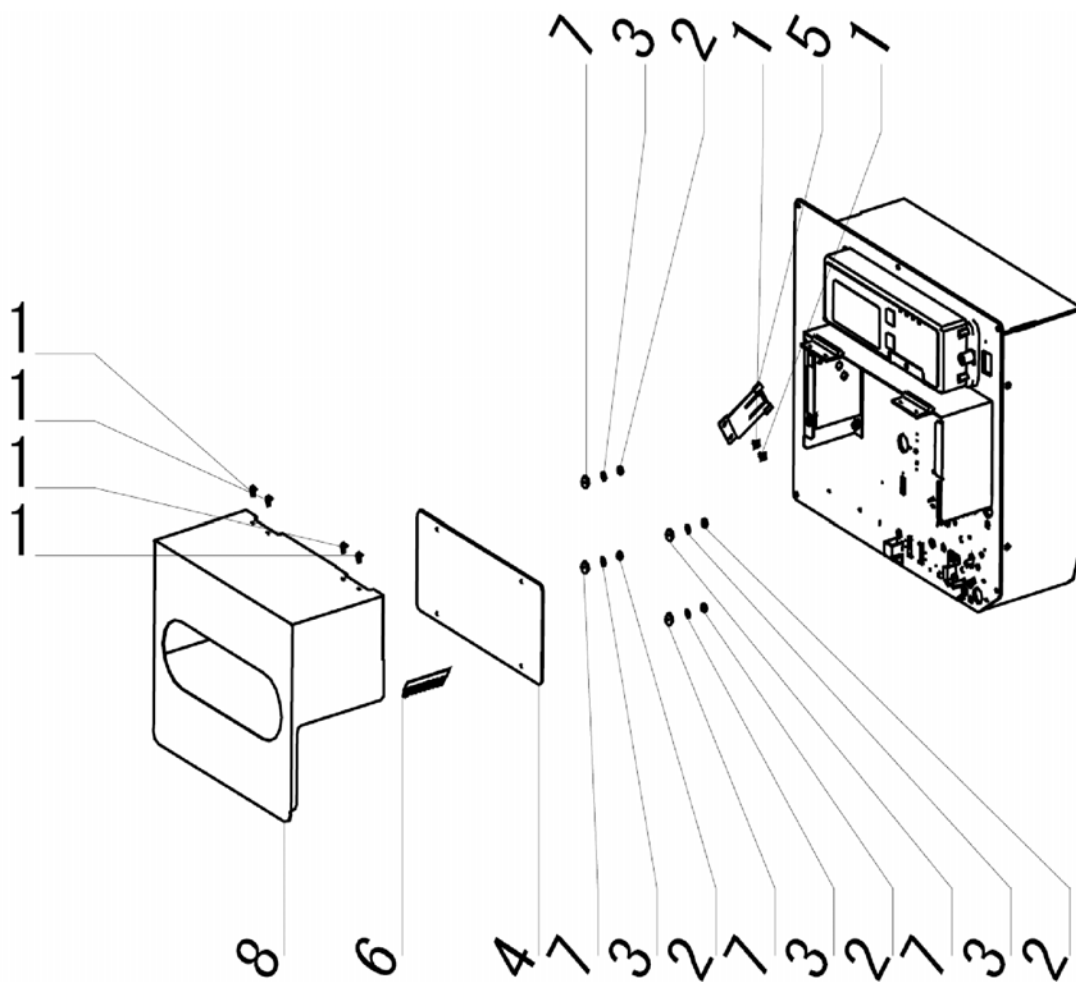


Figure PL3b, Housing Cover Assembly (3)

HOUSING COVER ASSEMBLY (3)		
ITEM	PART NUMBER	PART DESCRIPTION
1	MA7300628	TRUSS SCREW
2	MT1300022	NUT
3	NA1030022	WIDE FLAT WASHER
4	P14038000	WINDOW PANE
5	P16741011	PLATE STOPPER
6	P16765000	ANTI-STATIC SHEET
7	P18824000	FELT WASHER
8	R07432000	FRONT HOUSING COVER, HINGED

OPERATOR PANEL ASSEMBLY

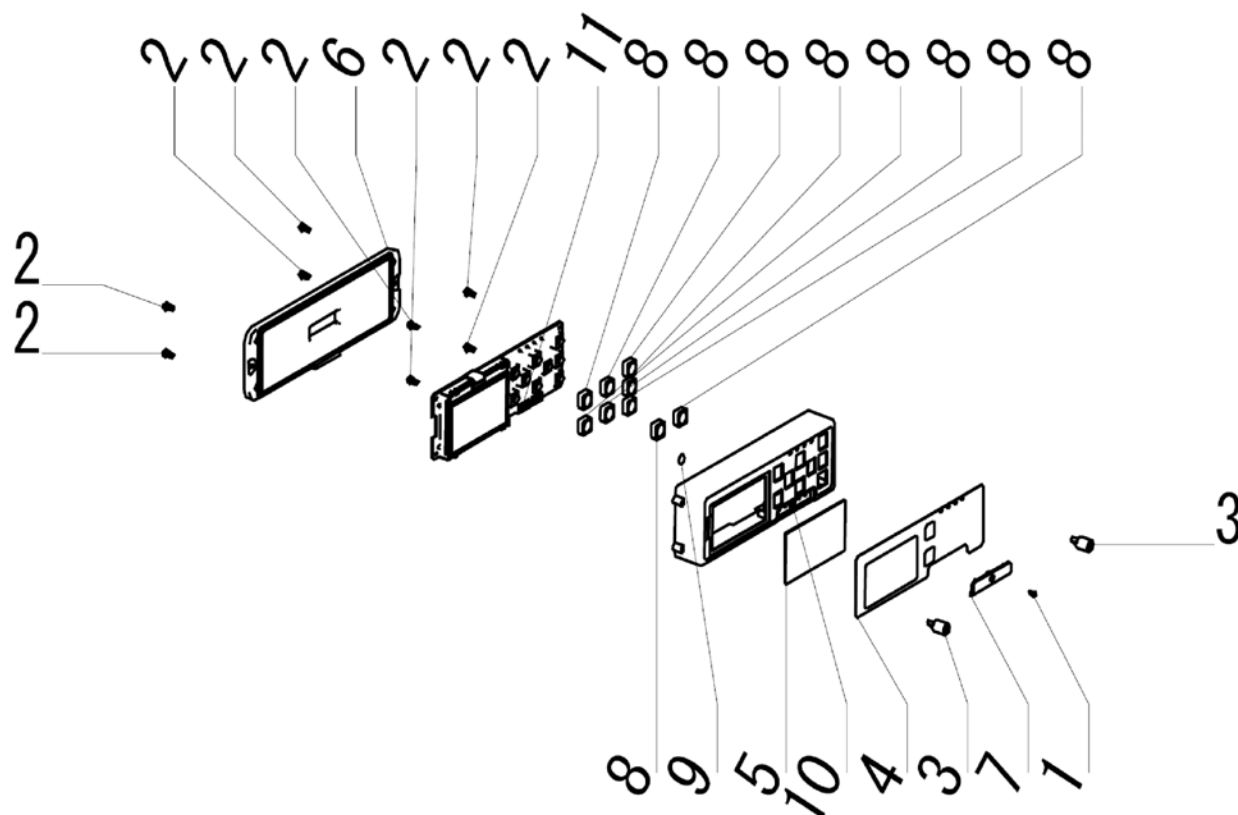


Figure PL4b, Operator Panel Assembly (1)

OPERATOR PANEL ASSEMBLY (1)		
ITEM	PART NUMBER	PART DESCRIPTION
1	MD3250622	PAN HEAD SCREW W/SPRING WASHER & NARROW FLAT WASHER
2	MH0300822	PAN HEAD SCREW, P-TIGHT
3	P13748010	SCREW, PANEL
4	P14036000	PROTECT SHEET
5	P14037000	LCD PROTECTOR
6	P15942000	PANEL BASE
7	P15943000	VOLUME COVER
8	P16768000	SPACER, PANEL SWITCH
9	P18934000	PCB PROTECTOR
10	R07309000	PANEL COVER
11	R07452010	PANEL CIRCUIT BOARD ASSEMBLY

PRINT ASSEMBLY

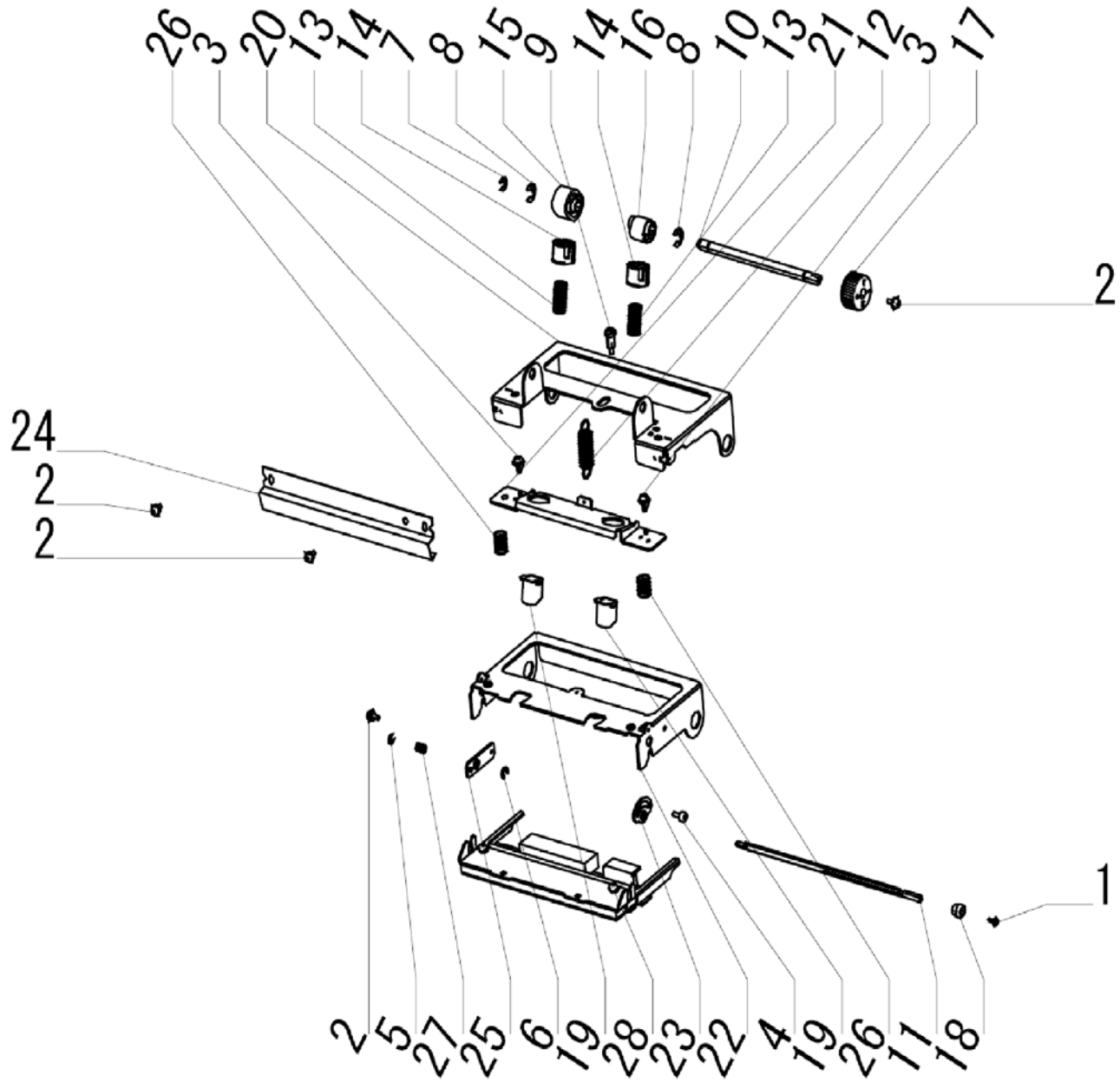


Figure PL5b, Print Assembly (1)

PRINT ASSEMBLY (1)		
ITEM	PART NUMBER	PART DESCRIPTION
1	MD3200622	PAN HEAD SCREW W/SPRING WASHER & NARROW FLAT WASHER
2	MD3300622	PAN HEAD SCREW W/SPRING WASHER & NARROW FLAT WASHER
3	MD4300822	PAN HEAD SCREW W/SPRING WASHER & WIDE FLAT WASHER
4	MN1300625	ALLEN SCREW
5	ND0025030	SNAP RING, TYPE E, 2.5
6	ND0030030	SNAP RING, TYPE E, 3
7	ND0040030	SNAP RING, TYPE E, 4
8	ND0050030	SNAP RING, TYPE E, 5
9	P13742010	SHAFT, HEAD TENSION
10	P13743020	SHAFT, PRESSURE ADJUSTMENT
11	P13744010	SHAFT, HEAD ADJUSTMENT
12	P13791000	SPRING, HEAD OPEN
13	P14019000	SPRING, HEAD PRESSURE
14	P15933010	SPRING LOCK
15	P15934000	HEAD PRESSURE CAM A
16	P15935000	HEAD PRESSURE CAM B
17	P15936010	KNOB, HEAD PRESSURE
18	P15937010	KNOB, HEAD SLIDE
19	P15938010	PRESSURE CAP
20	P16097000	HEAD TOP BRACKET
21	P16098000	HEAD PRESSURE BRACKET
22	P16099011	HEAD BRACKET
23	P16101011	PLATE, HEAD ADJUSTMENT A
24	P16105000	PLATE, RIBBON ADJUSTMENT
25	P16613000	PLATE , HEAD ADJUSTMENT B
26	P16628000	SPRING, HEAD BRACKET
27	P16629010	SPRING, HEAD LOCK
28	R07333000	PRINT HEAD SUB-ASSEMBLY

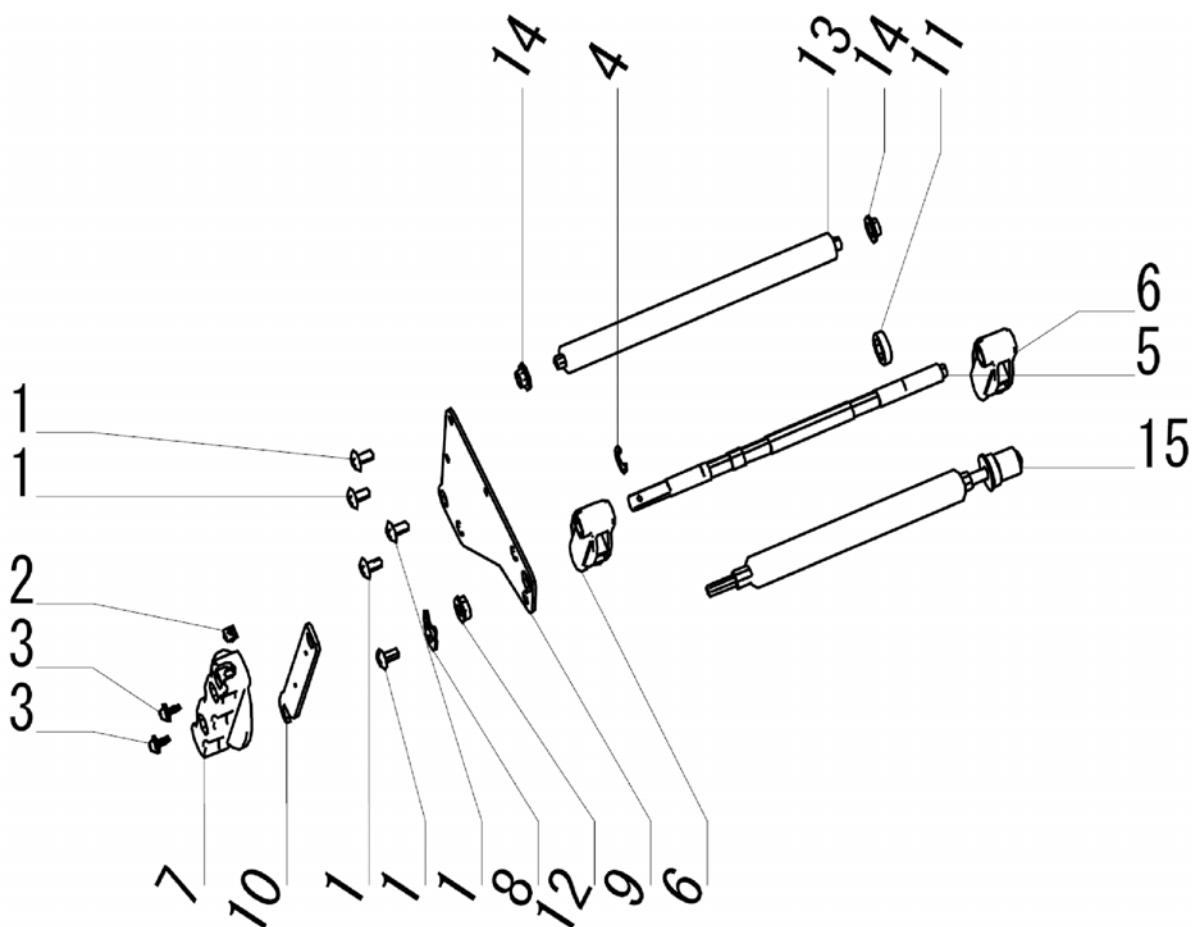


Figure PL6b, Print Assembly (2)

PRINT ASSEMBLY (2)		
ITEM	PART NUMBER	PART DESCRIPTION
1	MA7401028	TRUSS SCREW
2	MD3300622	PAN HEAD SCREW W/SPRING WASHER & NARROW FLAT WASHER
3	MD4300822	PAN HEAD SCREW W/SPRING WASHER & WIDE FLAT WASHER
4	ND0060030	SNAP RING, TYPE E, 6
5	P13746000	SHAFT, HEAD LOCK
6	P15940000	HEAD LOCK CAM
7	P15941000	HEAD LOCK LEVER B
8	P16092000	BEARING CLAMP
9	P16112000	HEAD SIDE FRAME
10	P16113000	HEAD LOCK LEVER A
11	P16646010	COLLAR, HEAD SHAFT
12	P17491000	ROLLER BEARING
13	PB3770100	ROLLER, 6*12*143
14	PE2770300	COLLAR, 6*8*4F
15	R07336011	RIBBON ROLLER SUB-ASSEMBLY

RIBBON SPINDLE ASSEMBLY

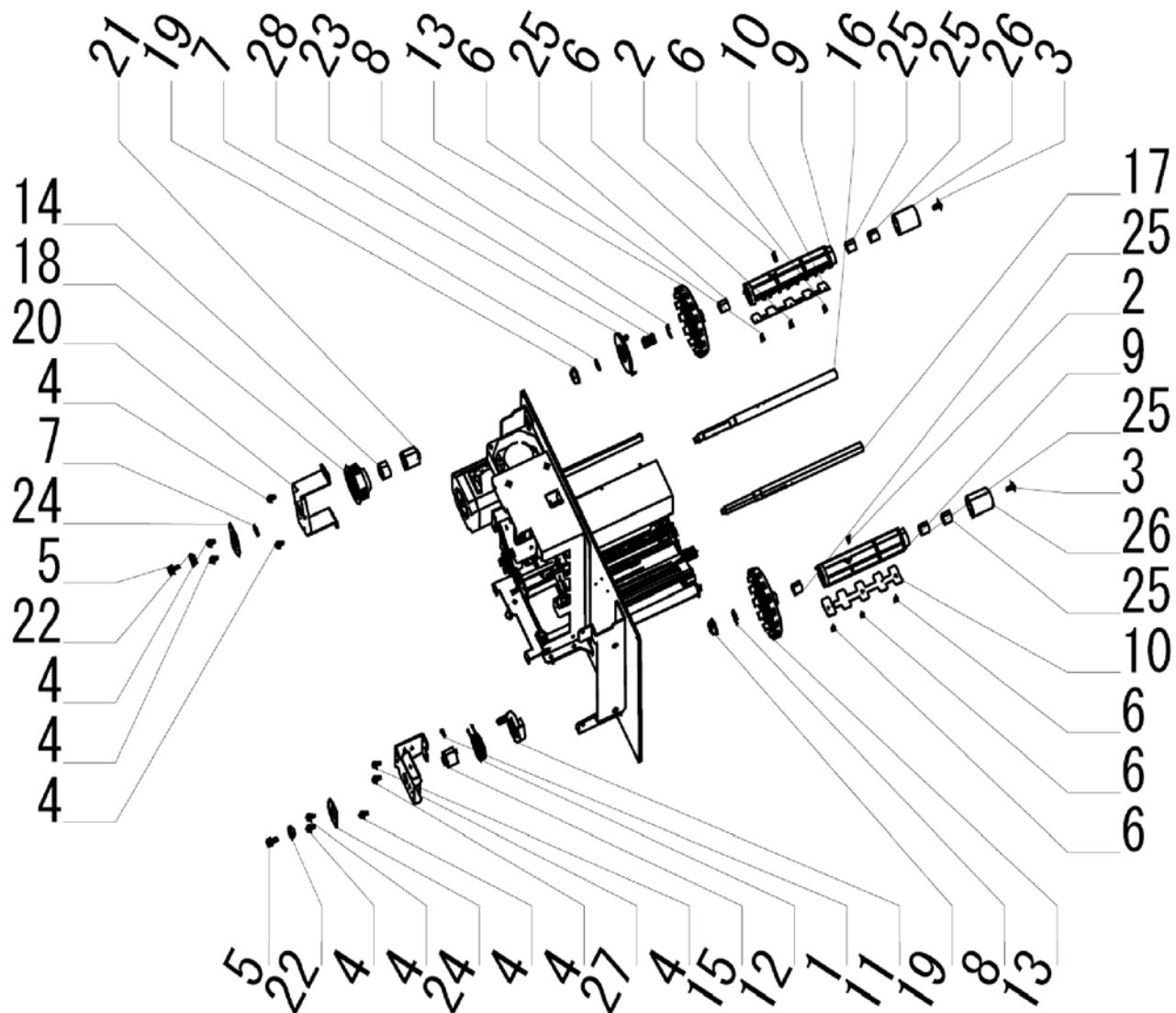


Figure PL7b, Ribbon Spindle Assembly (1)

RIBBON SPINDLE ASSEMBLY (1)		
ITEM	PART NUMBER	PART DESCRIPTION
1	MA0200822	PAN HEAD SCREW
2	MA0300822	PAN HEAD SCREW
3	MA7401028	TRUSS SCREW
4	MD4300822	PAN HEAD SCREW W/SPRING WASHER & WIDE FLAT WASHER
5	MD4401022	PAN HEAD SCREW W/SPRING WASHER & WIDE FLAT WASHER
6	MH0300522	PAN HEAD SCREW, P-TIGHT
7	ND0060030	SNAP RING, TYPE E, 6
8	ND0080030	SNAP RING, TYPE E, 8
9	P00588101	RIBBON BOSS
10	P00626000	SPRING, RIBBON BOSS
11	P11280010	BACK FEED STOPPER
12	P11282010	BACK FEED SPRING
13	P11283000	DISK PLATE
14	P11461000	ONE-WAY CLUTCH
15	P12267000	TORQUE LIMITER, RIBBON SUPPLY
16	P13747000	SHAFT, RIBBON A
17	P13889000	SHAFT, RIBBON B
18	P15159000	RIBBON PULLEY
19	P15601000	BEARING
20	P16114010	RIBBON BRACKET B
21	P16747000	TORQUE LIMITER, RIBBON REWIND
22	P17488000	BALL BEARING
23	P18125000	SPRING, BACK FEED STOPPER
24	PA1731000	ADJUSTMENT PLATE
25	PE2720100	COLLAR, 10*12*10
26	PE2730100	STOPPER COLLAR
27	R07310000	RIBBON BRACKET SET
28	R08411000	FELT SUB-ASSEMBLY

DRIVE TRAIN ASSEMBLY

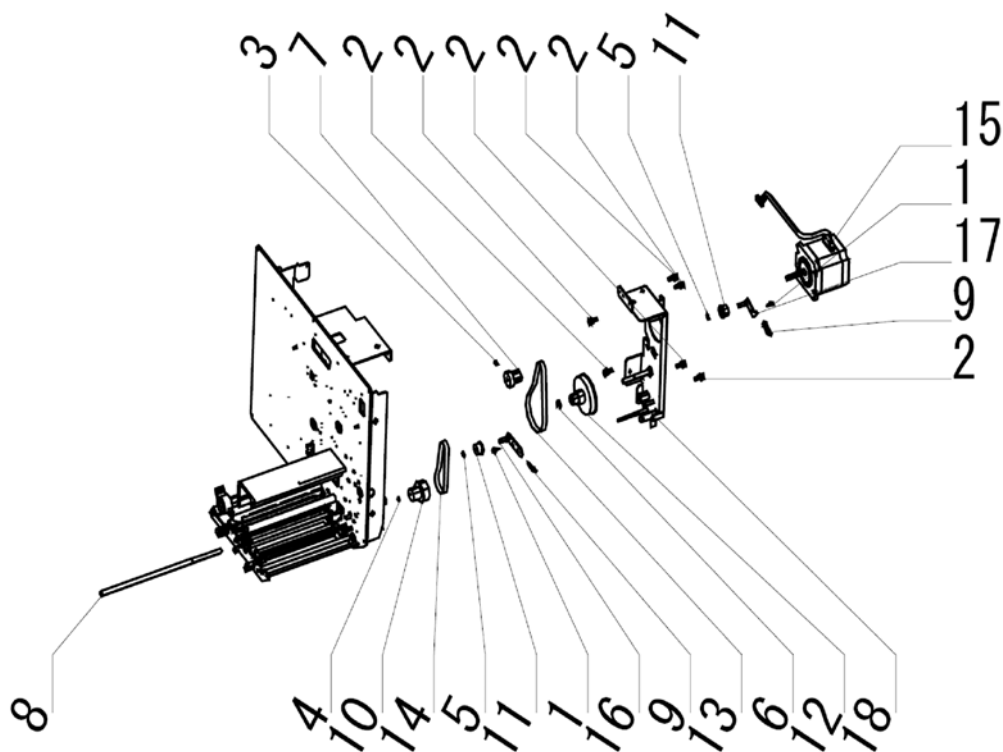


Figure PL8b, Drive Train Assembly (1)

DRIVE TRAIN ASSEMBLY (1)		
ITEM	PART NUMBER	PART DESCRIPTION
1	MD4300822	PAN HEAD SCREW W/SPRING WASHER & WIDE FLAT WASHER
2	MD4401022	PAN HEAD SCREW W/SPRING WASHER & WIDE FLAT WASHER
3	MJ1400622	SET SCREW, ALLEN, WITH POINT
4	ND0030030	SNAP RING, TYPE E, 3
5	ND0040030	SNAP RING, TYPE E, 4
6	ND0060030	SNAP RING, TYPE E, 6
7	P11157001	MOTOR PULLEY
8	P13724010	SHAFT, FEED
9	P13782000	SPRING, FELT TENSION
10	P13862010	GEAR/PULLEY, 20/40 RESPECTIVELY
11	P13863000	TENSION ROLLER
12	P13864000	GEAR/PULLEY, 22 & 77/20 RESPECTIVELY
13	P16067000	TIMING BELT, STEPPER MAIN, 260
14	P16068000	TIMING BELT, PLATEN DRIVE, 186
15	P16780000	STEPPER MOTOR, LEFT FEED
16	R05788000	TENSION BRACKET A
17	R05789000	TENSION BRACKET B
18	R07305000	MOTOR BRACKET

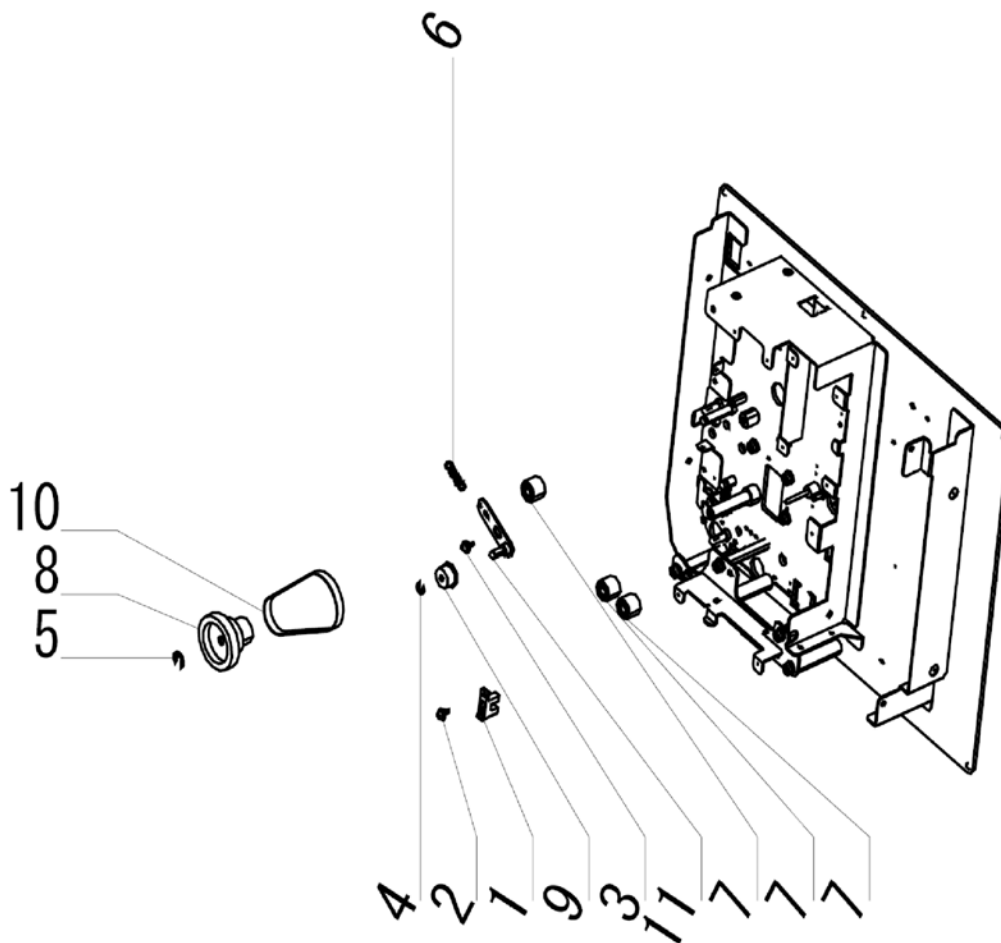


Figure PL9b, Drive Train Assembly (2)

DRIVE TRAIN ASSEMBLY (2)		
ITEM	PART NUMBER	PART DESCRIPTION
1	F00177000	PHOTO INTERRUPTER
2	MD3300622	PAN HEAD SCREW W/SPRING WASHER & NARROW FLAT WASHER
3	MD4300822	PAN HEAD SCREW W/SPRING WASHER & WIDE FLAT WASHER
4	ND0040030	SNAP RING, TYPE E, 4
5	ND0050030	SNAP RING, TYPE E, 5
6	P13782000	SPRING, BELT TENSION
7	P13860000	GEAR, 18
8	P13861000	GEAR/PULLEY, 47/22 & 38 RESPECTIVELY
9	P13863000	TENSION ROLLER
10	P16962000	TIMING BELT, RIBBON DRIVE, 218
11	R05788000	TENSION BRACKET A

ROLLER ASSEMBLY

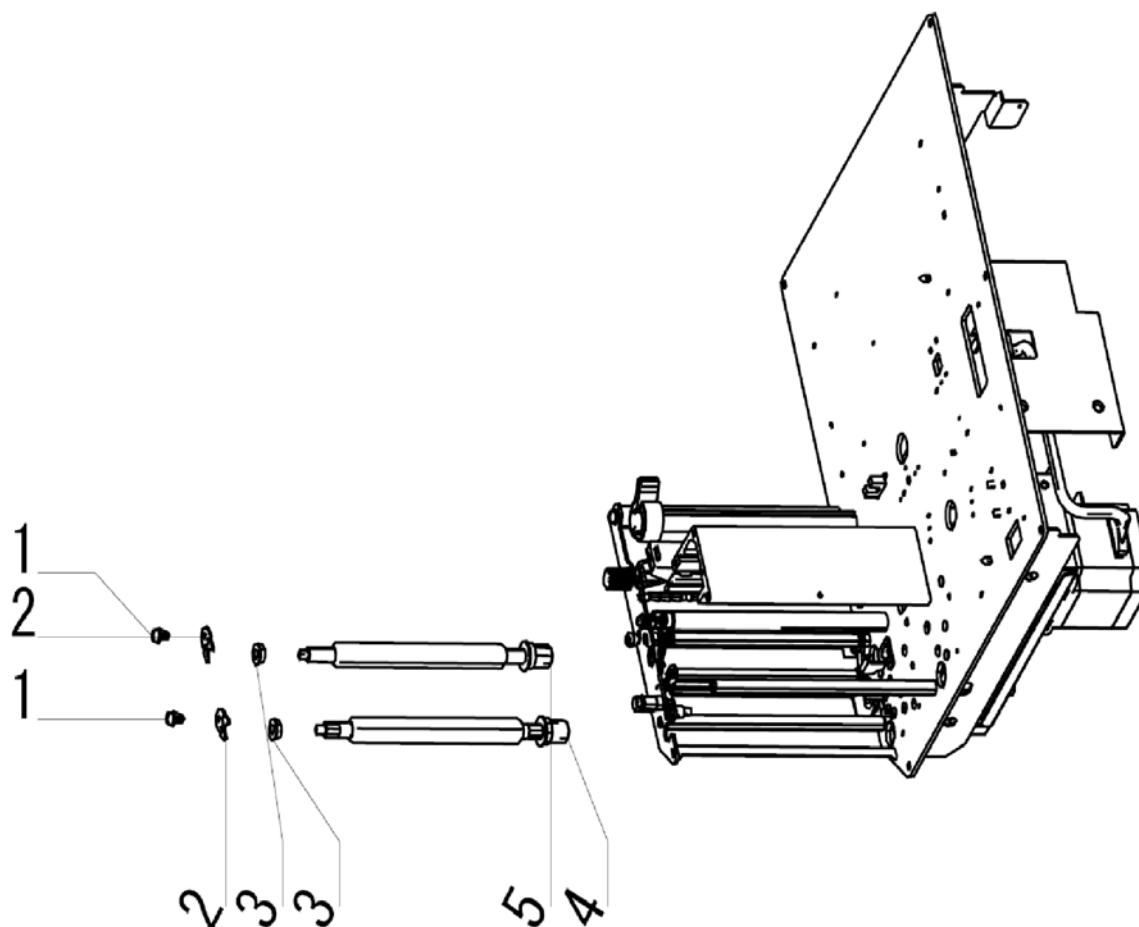


Figure PL10b, Roller Assembly (1)

DRIVE TRAIN ASSEMBLY (2)		
ITEM	PART NUMBER	PART DESCRIPTION
1	MD4400828	PAN HEAD SCREW W/SPRING WASHER & WIDE FLAT WASHER
2	P16092000	BEARING CLAMP
3	P17491000	BALL BEARING
4	R07323010	PLATEN ROLLER SUB-ASSEMBLY A
5	R07324001	PLATEN ROLLER SUB-ASSEMBLY B

CIRCUIT BOARD ASSEMBLY

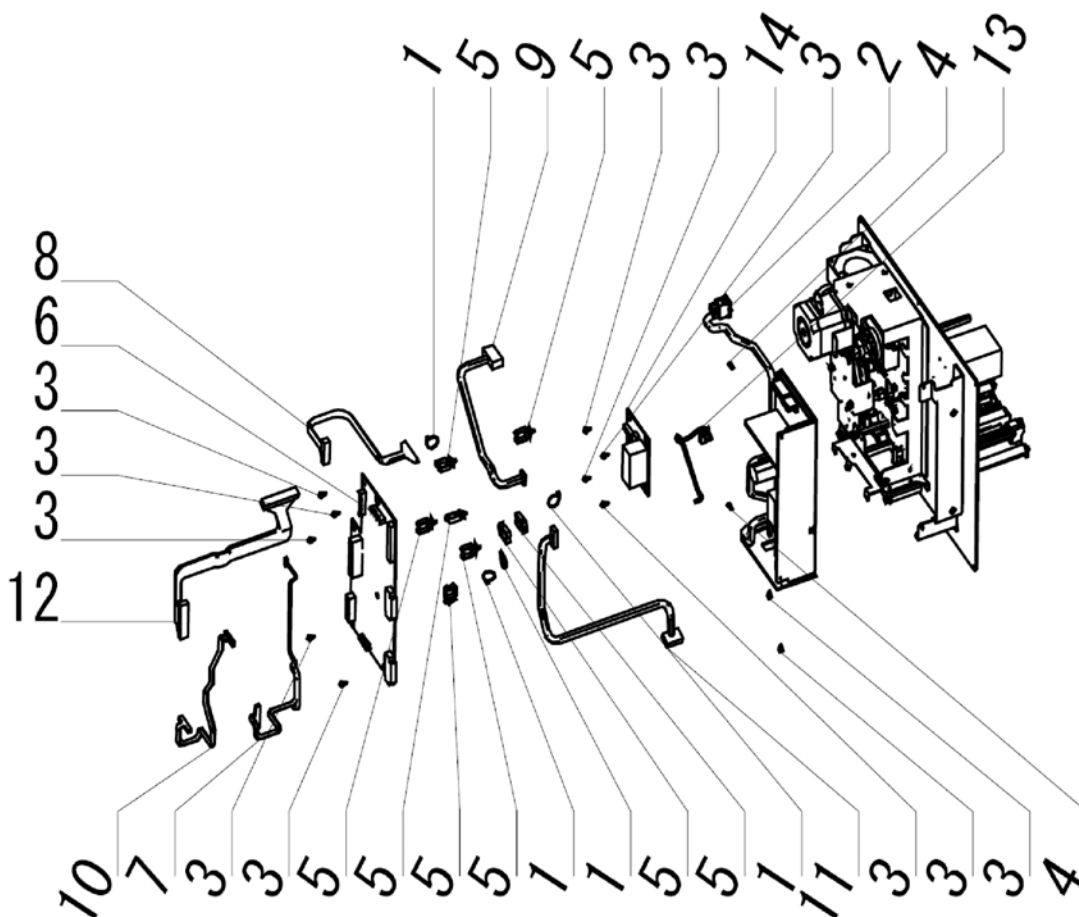


Figure PL11b, Circuit Board Assembly (1)

CIRCUIT BOARD ASSEMBLY (1)		
ITEM	PART NUMBER	PART DESCRIPTION
1	JG100011A	TIE WRAP
2	K00138000	POWER UNIT
3	MD4300822	PAN HEAD SCREW W/SPRING WASHER & WIDE FLAT WASHER
4	MN1300822	ALLEN SCREW
5	P11523000	WIRE SADDLE
6	R09216000	MAIN CIRCUIT BOARD
7	R07103001	SENSOR CABLE SET
8	R07104001	MAIN CIRCUIT BOARD TO MOTOR CIRCUIT BOARD CABLE SET
9	R07105000	DC POWER CABLE SET
10	R07106000	MOTOR DRIVER CABLE SET
11	R07107001	HEAD POWER CABLE SET
12	R07108000	HEAD SIGNAL CABLE SET
13	R07112000	HEAD-OPEN CABLE SET
14	R07450000	MOTOR DRIVER CIRCUIT BOARD

CHASSIS ASSEMBLY

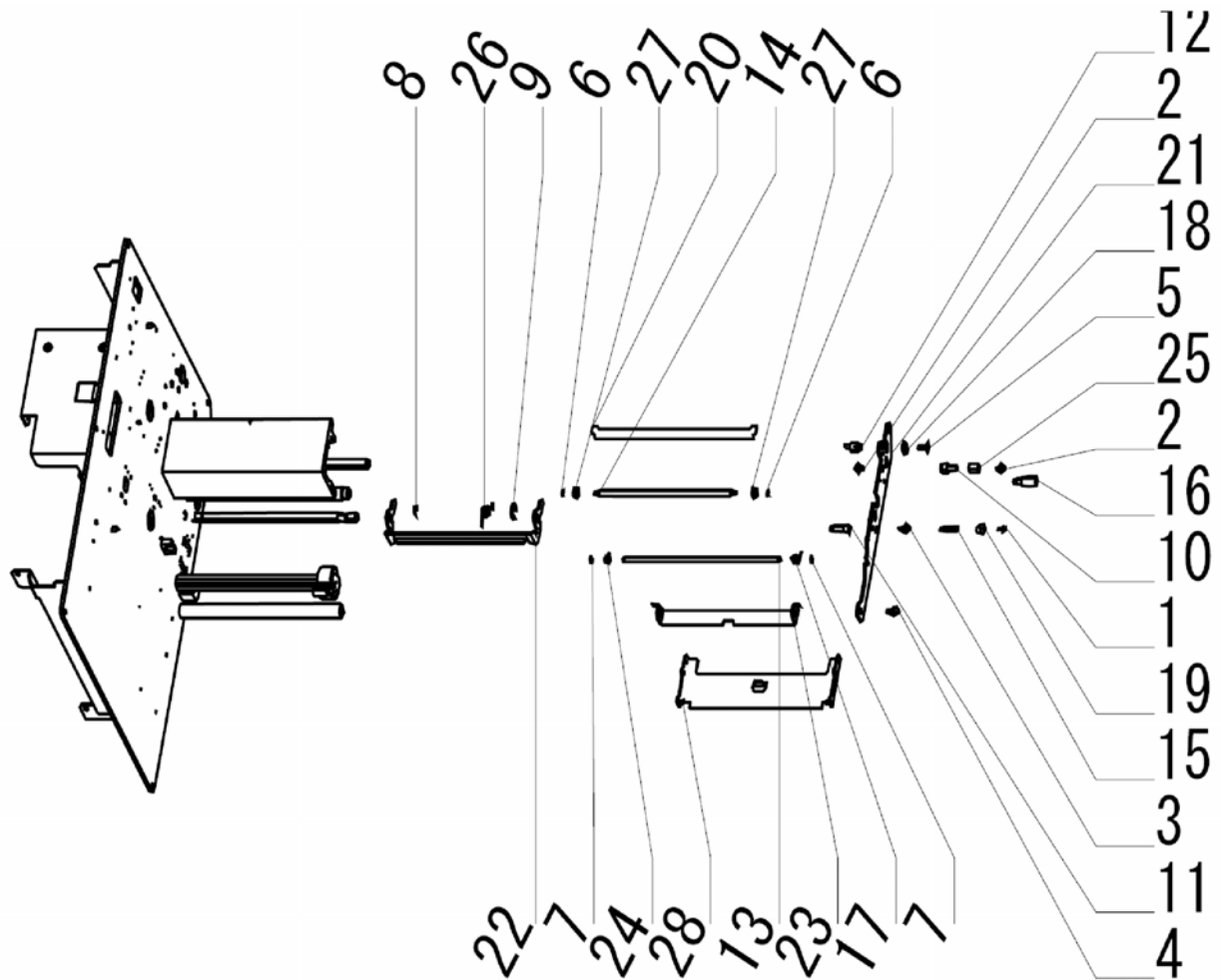


Figure PL12b, Chassis Assembly (1)

CHASSIS ASSEMBLY (1)		
ITEM	PART NUMBER	PART DESCRIPTION
1	MD3200622	PAN HEAD SCREW W/ SPRING WASHER & NARROW FLAT WASHER
2	MD4300622	PAN HEAD SCREW W/ SPRING WASHER & WIDE FLAT WASHER
3	MD4300822	PAN HEAD SCREW W/ SPRING WASHER & WIDE FLAT WASHER
4	MD4400828	PAN HEAD SCREW W/ SPRING WASHER & WIDE FLAT WASHER
5	MJ9300822	THIN HEAD SCREW
6	ND0020030	SNAP RING, TYPE E, 2
7	ND0025030	SNAP RING., TYPE E, 2.5
8	ND0040030	SNAP RING, TYPE E, 4
9	ND0060030	SNAP RING, TYPE E, 6
10	P13732010	POST, LATCH
11	P13733010	SHAFT, SPRING STOPPER A
12	P13734010	PIN, HEAD LOCK B
13	P13736000	SHAFT, PRESSURE ROLLER
14	P13737000	PRESSURE ROLLER
15	P13738010	KNOB, LOCK LEVER
16	P13740010	KNOB, PRESSURE ROLLER
17	P13785000	SPRING, PRESSURE ROLLER A
18	P13960000	HEAD ADJUSTMENT BRACKET
19	P15937010	KNOB, HEAD SLIDE
20	P16090000	DISPENSER PLATE
21	P16091000	SIDE FRAME
22	P16093011	LOCK LEVER
23	P16095000	PRESSURE BRACKET
24	P16323000	SPRING, PRESSURE ROLLER B
25	P16645000	COLLAR, 5.1*7*8
26	P17473000	SPRING, LOCK LEVER
27	P17487000	BALL BEARING
28	R05793000	PRESSURE BRACKET/PLATE

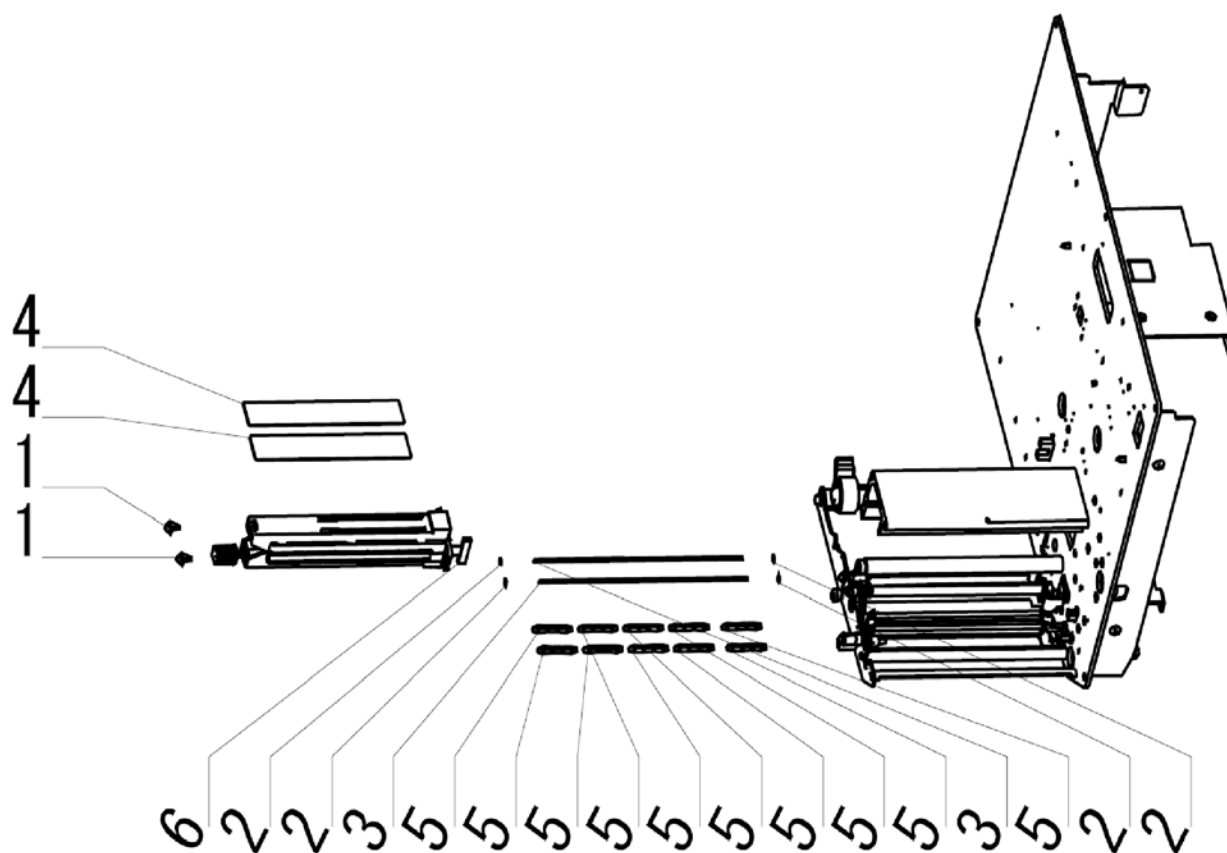


Figure PL13b, Chassis Assembly (2)

CHASSIS ASSEMBLY (2)		
ITEM	PART NUMBER	PART DESCRIPTION
1	MD4300822	PAN HEAD SCREW W/ SPRING WASHER & WIDE FLAT WASHER
2	ND0020030	SNAP RING, TYPE E, 2
3	P13735010	SHAFT, LABEL GUIDE
4	P16117000	SEAT SENSOR
5	PE3520600	DISPENSE ROLLER
6	R07327030	GAP SENSOR SUB-ASSEMBLY

FRAME ASSEMBLY

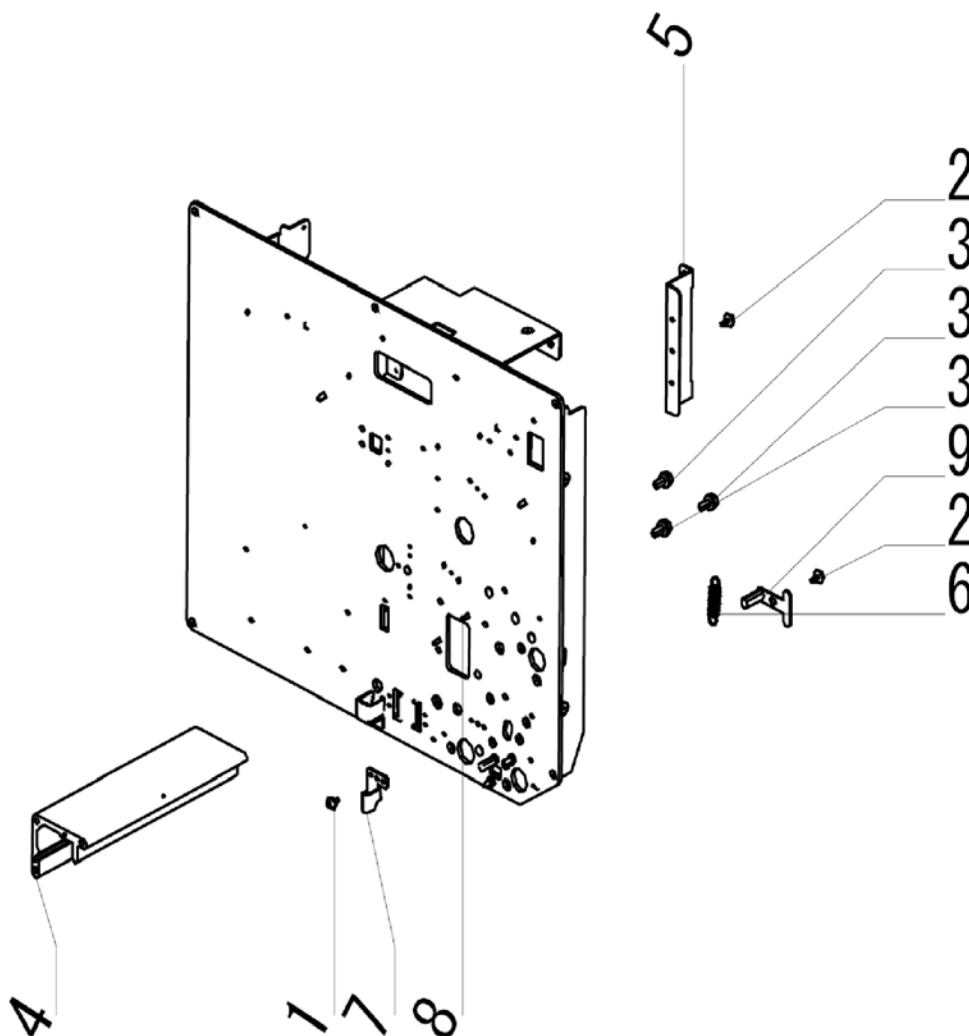


Figure PL14b, Frame Assembly (1)

FRAME ASSEMBLY (1)		
ITEM	PART NUMBER	PART DESCRIPTION
1	MD3300622	PAN HEAD SCREW W/ SPRING WASHER & NARROW FLAT WASHER
2	MD4300822	PAN HEAD SCREW W/ SPRING WASHER & WIDE FLAT WASHER
3	MD4401022	PAN HEAD SCREW W/ SPRING WASHER & WIDE FLAT WASHER
4	P13704010	STAY
5	P16083010	MOTOR CIRCUIT BOARD BRACKET
6	P16637000	SPRING, HEAD SENSOR
7	P18109000	LABEL GUIDE BRACKET
8	R05785000	CENTER FRAME
9	R05787010	HEAD LOCK BRACKET

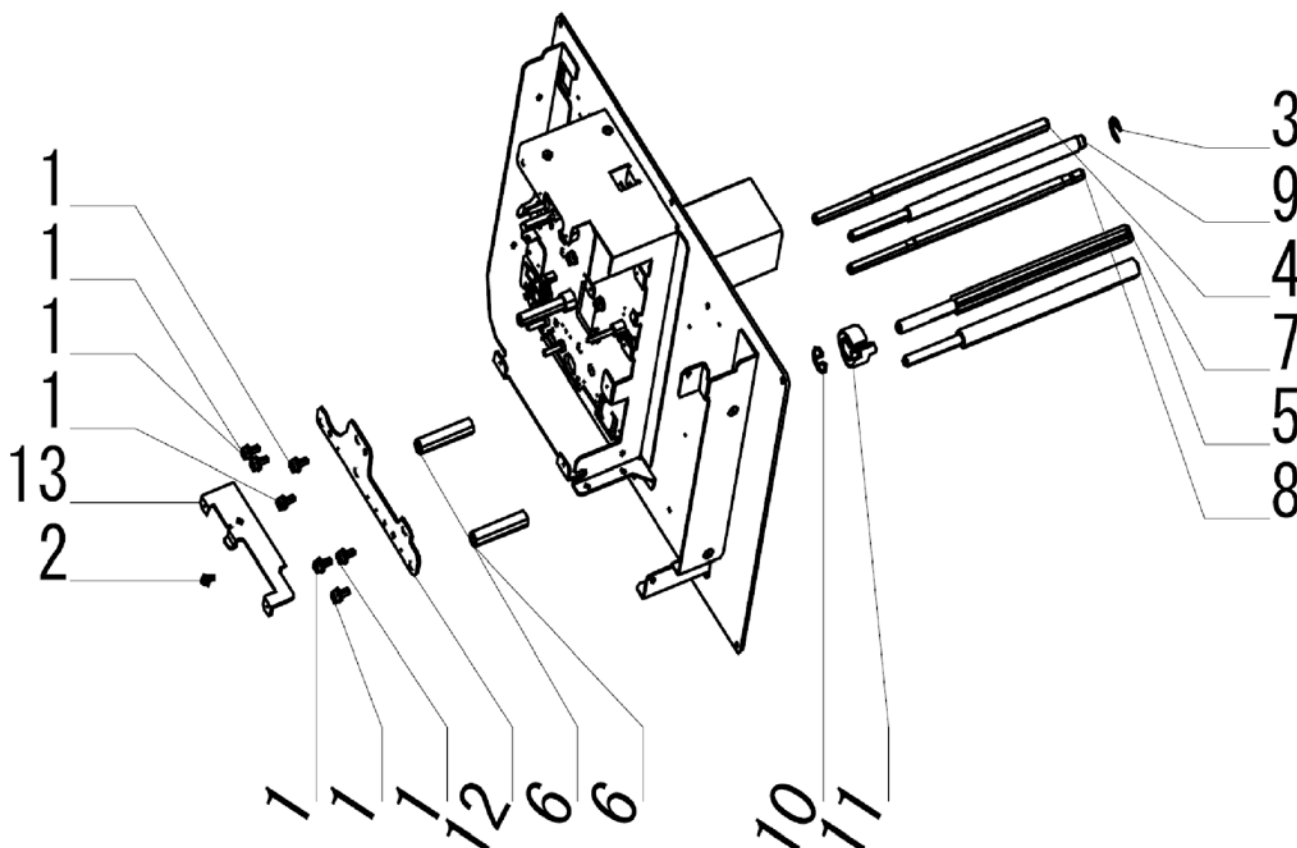


Figure PL15b, Frame Assembly (2)

FRAME ASSEMBLY (2)		
ITEM	PART NUMBER	PART DESCRIPTION
1	MD3401022	PAN HEAD SCREW W/ SPRING WASHER & NARROW FLAT WASHER
2	MD4300822	PAN HEAD SCREW W/ SPRING WASHER & WIDE FLAT WASHER
3	ND0080030	SNAP RING, TYPE E, 8
4	P13724010	SHAFT, FEED
5	P13726010	SHAFT, LABEL
6	P13727010	COLLAR, FEED
7	P13728020	SHAFT, PAPER GUIDE
8	P13739000	SHAFT, PRESSURE
9	P13741000	SHAFT, HEAD
10	P13793010	SPRING, LABEL GUIDE
11	P15927000	LABEL GUIDE
12	P16085010	SUPPORT FRAME
13	P16086020	MAIN CIRCUIT BOARD BRACKET

ACCESSORIES & OPTIONS

ACCESSORIES (1)		
ITEM	PART NUMBER	PART DESCRIPTION
1	H00363002	POWER SUPPLY CORD, 110 VOLT
2	RH1773100	TEST MODULE
3	CV617431A	REAL-TIME CLOCK
4	WCL404051	RS232C HIGH-SPEED SERIAL INTERFACE
5	RJ1772510	RS422/485 SERIAL INTERFACE
6	WCL404070	IEEE1284 PARALLEL INTERFACE
7	11S000358	LOCAL AREA NETWORK (LAN) ETHERNET
8	11S000262	802.11b WIRELESS INTERFACE