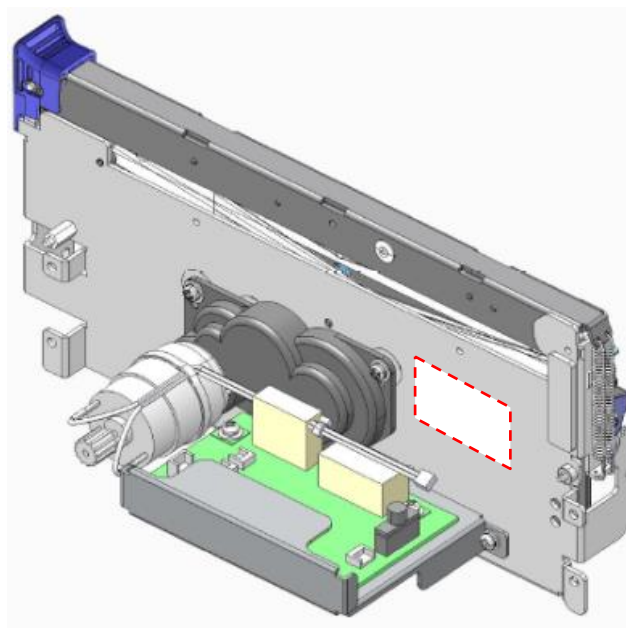




# CUTTER KIT(CL6NX) SERVICE PARTS LIST

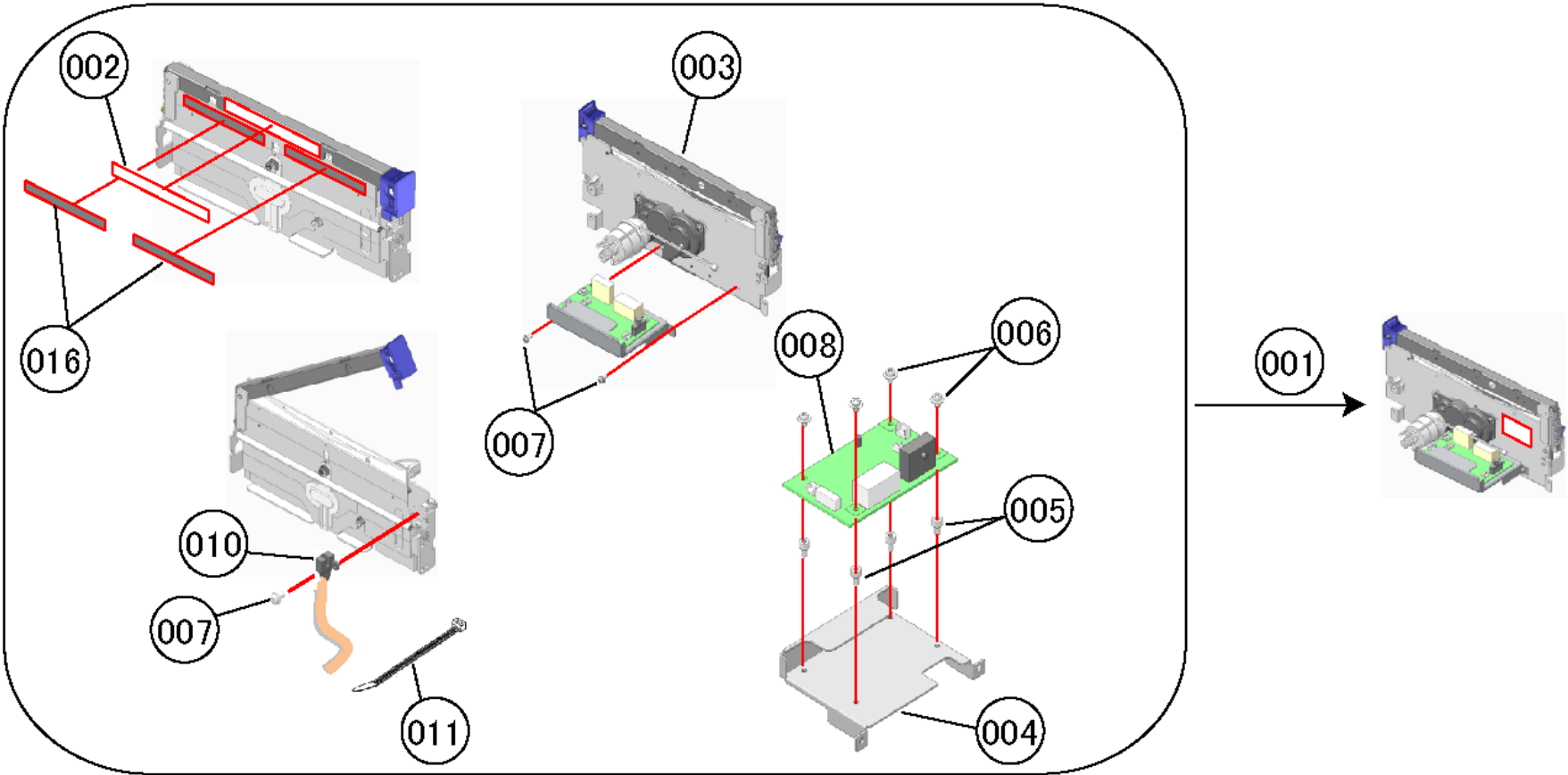


発行

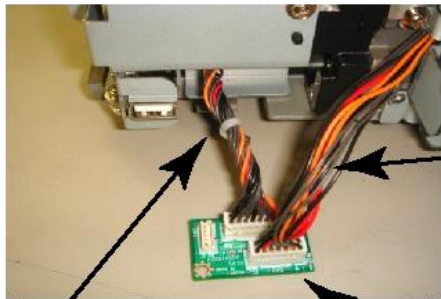
WWCL95100

RV01521

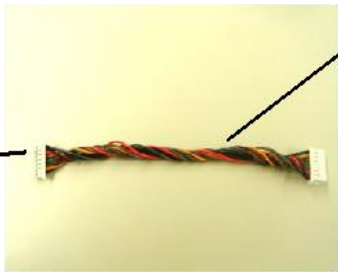
SATO CORPORATION . TOKYO. JAPAN



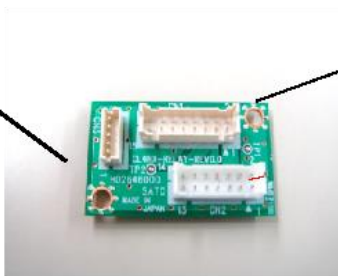
DESCRIPTION  
Fig01-ASSY



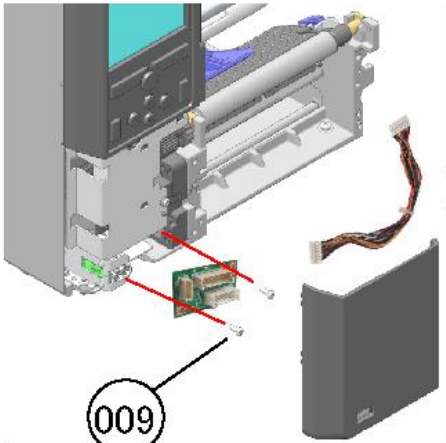
Option -cable  
(from Printer side)



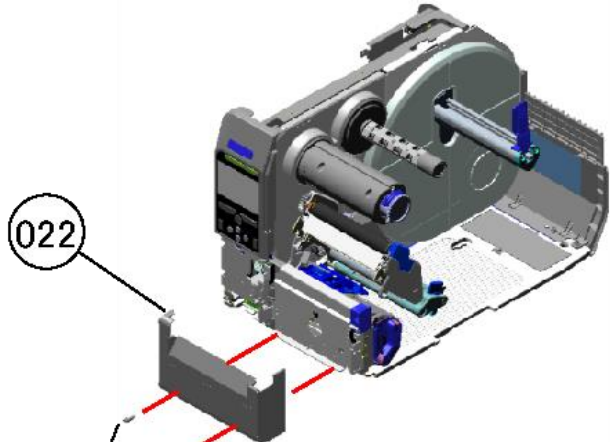
013



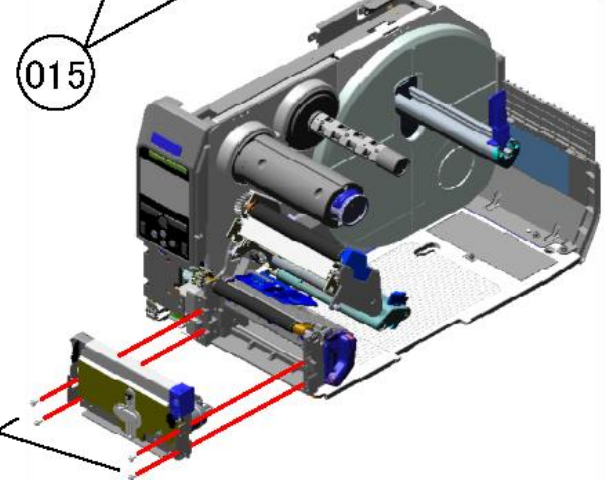
012



009

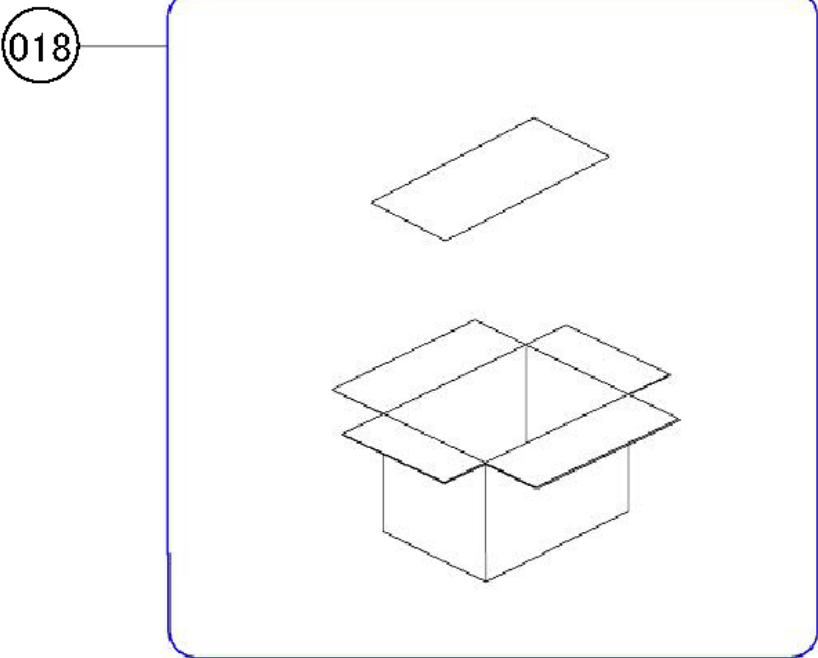


022



009

DESCRIPTION  
Fig02-ASSY



DESCRIPTION  
Fig03-ASSY

## CL6NX CUTTER KIT SERVICE PARTS LIST

DATE: 24 Mar,2015

No	First_Code	Parts_No (REV.NO)	Description	PRICE	NOTE
1	R32219200	R32219200	CUTTER ASSYCL6NX		Fig1
2	Q04254000	Q04254000	STICKER(TEAR OFF)		Fig1
3	P56366200	P56366200	CUTTER(CL6NX)O		Fig1
4	P54802000	P54802000	CT PCB BR		Fig1
5	P24161000	P24161000	SPACER(M3*L5)		Fig1
6	MD4300622	MD4300622	PAN HEAD SCREW+SW+WL		Fig1
7	MD3300621	MD3300622	PAN HEAD SCREW+SW+WS		Fig1
8	R29124000	R29124000	CL4NX CUT PCB ASSY -LF		Fig1
9	MD3300822	MD3300822	PAN HEAD SCREW+SW+WS		Fig2
10	R30393000	R30393000	CUTTER COVER OPEN CABLE SET-LF		Fig1
11	JG100011A	JG100011A	TIE WRAP		Fig1
12	R29115000	R29115000	RELAY PCB ASSY		Fig2
13	R28591000	R28591000	CUTTER CABLE SET-LF		Fig2
15	MD3401028	MD3401028	PAN HEAD SCREW+SW+WS		Fig2
16	P56246000	P56246000	SHEET(CUTTER)		Fig1
18	Q00974001	Q00974001	CARTON BOX		Fig3
22	R32680800	R32680800	CT FRONT COVER S/A		Fig2