



# Parts List

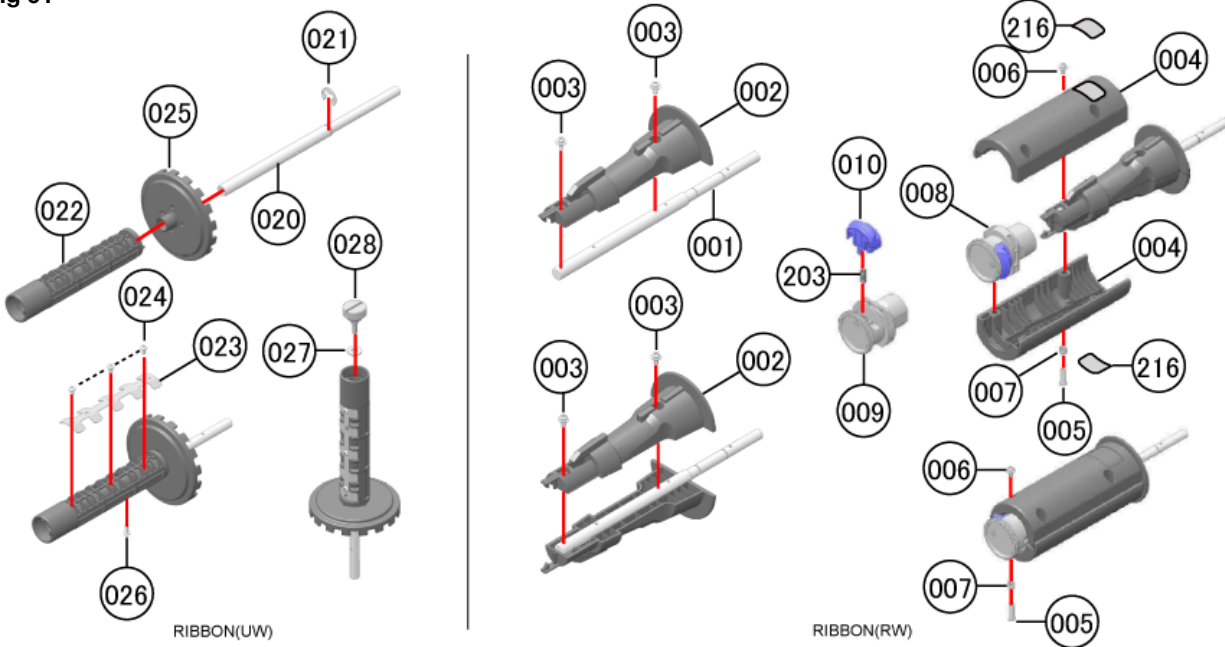
For printer model:

## CL4NX



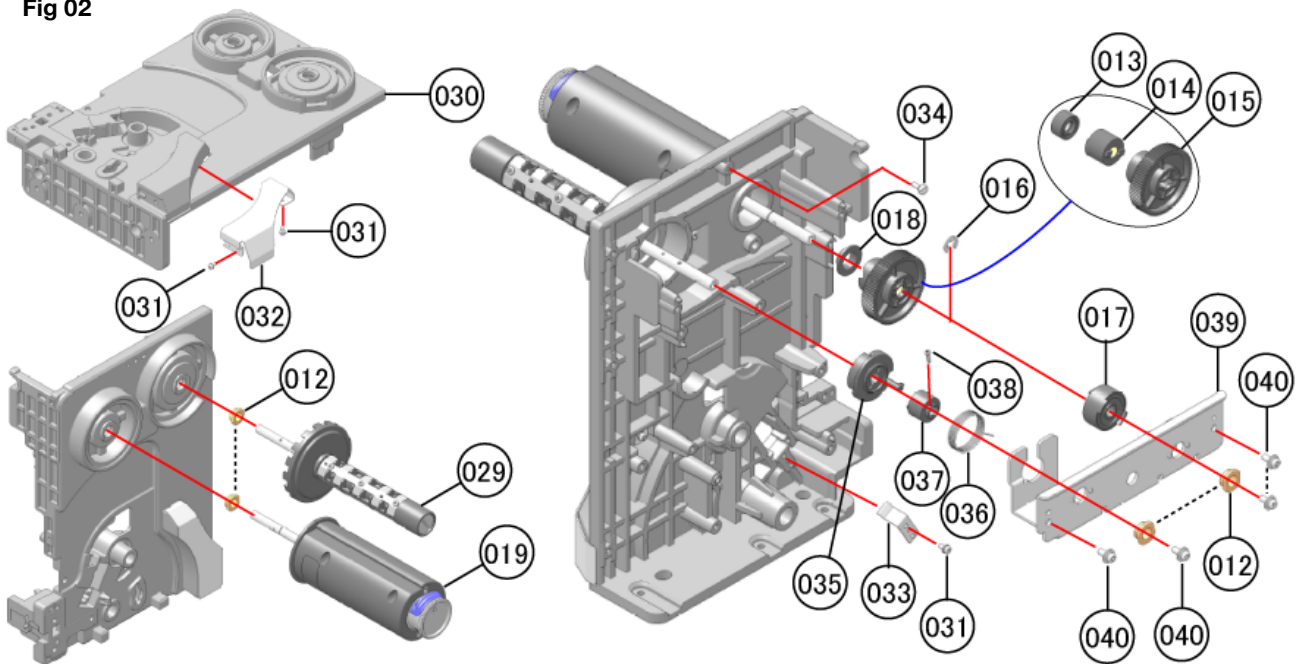
No	Part No.	Description	Note
1	P53632000	SHAFT (RIBBON CORE)	
2	P53003000	RIBBON CORE-IN	
3	MD4300822	PAN HEAD SCREW+SW+WL	
4	R29804000	RIBBON CORE (A) S/A	
5	P40495000	SHAFT (SLIDE)	
6	MD4300622	PAN HEAD SCREW+SW+WL	
7	P40494000	SPRING (SLIDE)	
8	R29805000	RELEASE BUTTON S/A	
9	P53002000	RELEASE BUTTON COVER	
10	P53001000	RELEASE BUTTON	
20	P53633000	SHAFT (RIBBON BOSS)	
21	ND0080030	E-SNAP RING	
22	P53006000	RIBBON BOSS	
23	P00626000	SPRING (RIBBON BOSS)	
24	MH0300522	PAN HEAD P TIGHT SCREW	
25	P53005000	DISK PLATE	
26	MA0300622	PAN HEAD SCREW	
27	NB0060022	SPRING WASHER	
28	P53642000	RIBBON BOSS SCREW	
203	P53644000	RIBBON RELEASE SPRING	
216	P37081000	GRIP SHEET	

Fig 01



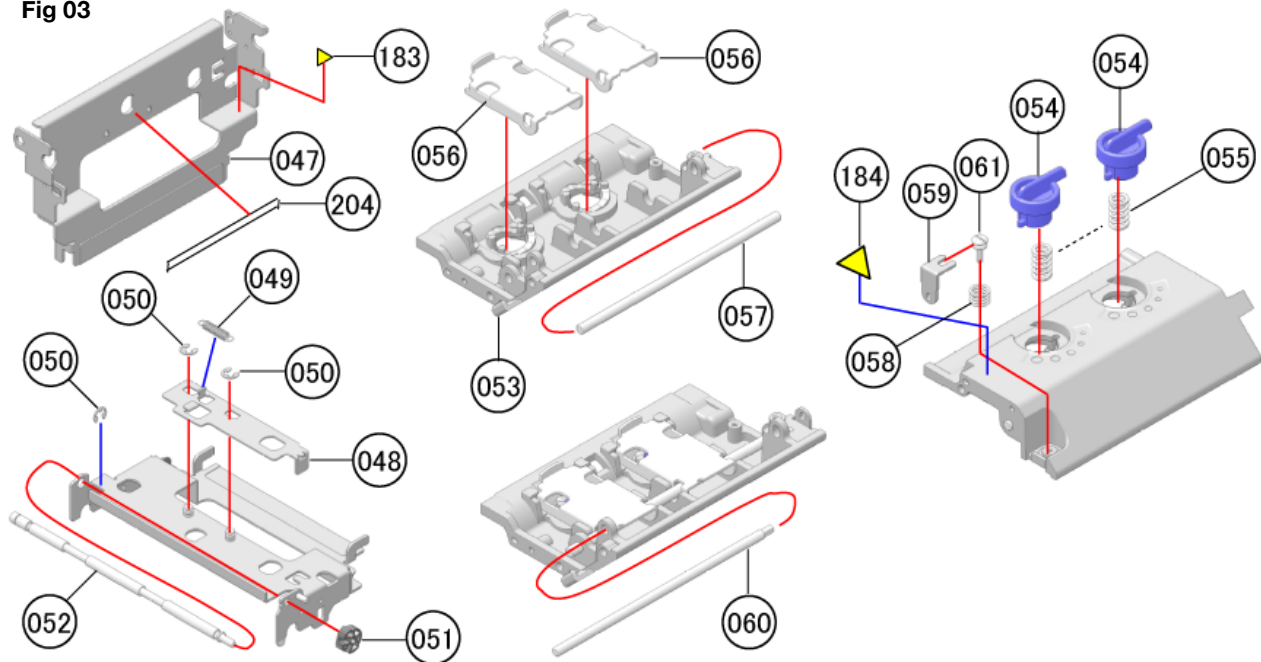
No	Part No.	Description	Note
12	P53759000	METAL BUSH	
13	P11461000	ONEWAY CLUTCH	
14	P23172000	TORQUE LIMITER	Recommended Spare Parts
15	P52962000	GEAR C (0_6*81)	
16	ND0060030	E RING	
17	P55533000	ONE-WAY LIMITER	
18	P15203000	OILES BEARING	
19	R29803000	RIBBON REWIND S/A	
29	R29806000	RIBBON UNWIND S/A	
30	P52952000	CENTER FRAME	
31	MD3300822	PAN HEAD SCREW+SW+WS	
32	P52972000	LABEL GUIDE LH (B)	
33	P53139000	SENSOR CASE TENSION	
34	P53598000	PIN (COVER LH)	
35	P11280010	BF STOPPER	
36	P55995001	BF SPRING	
37	P13953000	TORQUE LIMITER	Recommended Spare Parts
38	MA0200822	PAN HEAD SCREW	
39	P53008000	RIBBON FRAME	
40	MD4401022	PAN HEAD SCREW+SW+WL	

Fig 02



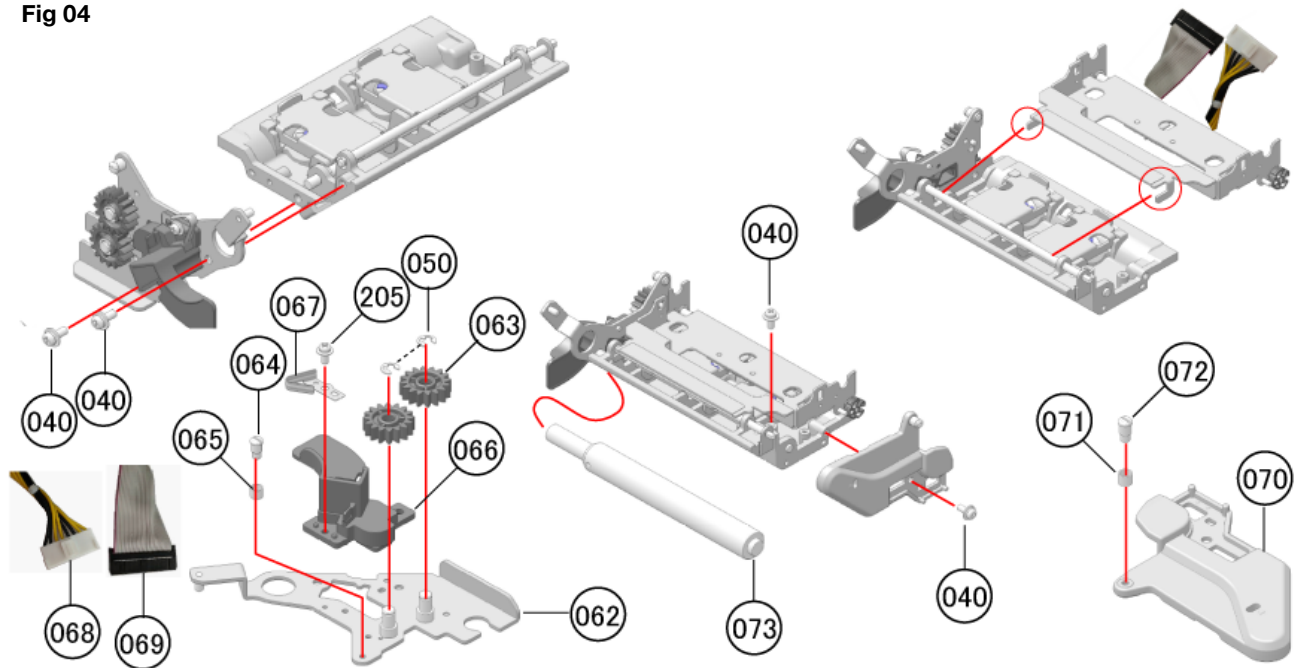
No	Part No.	Description	Note
47	R27445000	HEAD BASE PLATE SET	
48	P52998000	RELEASE PLATE </td <td></td>	
49	P22068000	SPRING (RELEASE)	
50	ND0040030	E SNAP RING	
51	P52999000	HEAD AJ KNOB	
52	P53630000	SHAFT (HEAD AJ)	
53	P52965000	HEAD FRAME	
54	P52982000	HEAD PRESSURE KNOB	
55	P53619000	SPRING (HEAD)	
56	P52983000	HEAD PRESSURE ARM	
57	P53620000	SHAFT (ARM)	
58	P53626000	SPRING (HEAD AJ)	
59	P52991000	AJ PLATE (HEAD)	
60	P53621000	SHAFT (HEAD BASE)	
61	P53627000	HEAD AJ SCREW	
183	QC6524200	STICKER (CAUTION HOT)	
184	Q04255000	STICKER (CAUTION)	
204	P56083900	HEAD SHEET	

Fig 03



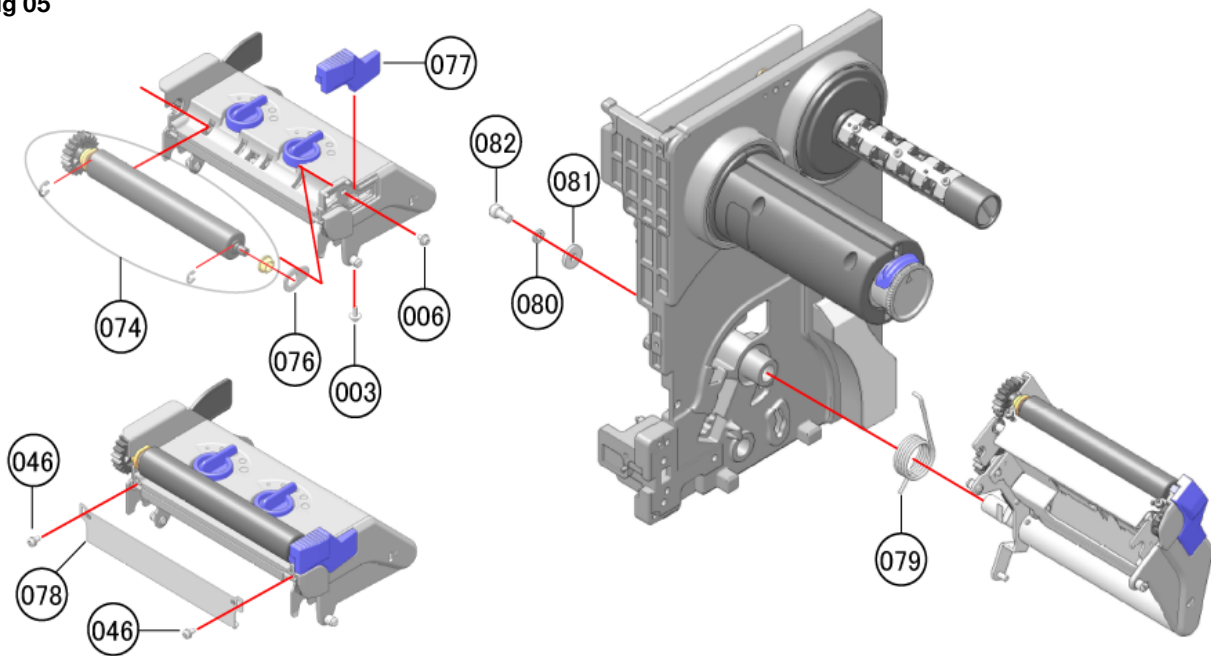
No	Part No.	Description	Note
40	MD4401022	PAN HEAD SCREW+SW+WL	
50	ND0040030	E SNAP RING	
62	R27444000	HEAD FRAME LH SET	
63	P52989000	GEAR H (1_25*16)	
64	P53625000	HEAD LOCK SCREW	
65	P41929000	COLLAR (5*6*4.8)	
66	P52986000	HEAD HARNESS COVER	
67	P52987000	SENSOR HOLD SP	
68	R28432000	HEAD POWER CABLE SET-LF	
69	R28428000	HEAD SIGNAL CABLE SET-LF	
70	P52966000	HEAD FRAME RH	
71	P41929000	COLLAR (5*6*4.8)	
72	P53625000	HEAD LOCK SCREW	
73	P53622000	SHAFT (HEAD)	
205	MD4301022	PAN HEAD SCREW+SW+WL	

Fig 04



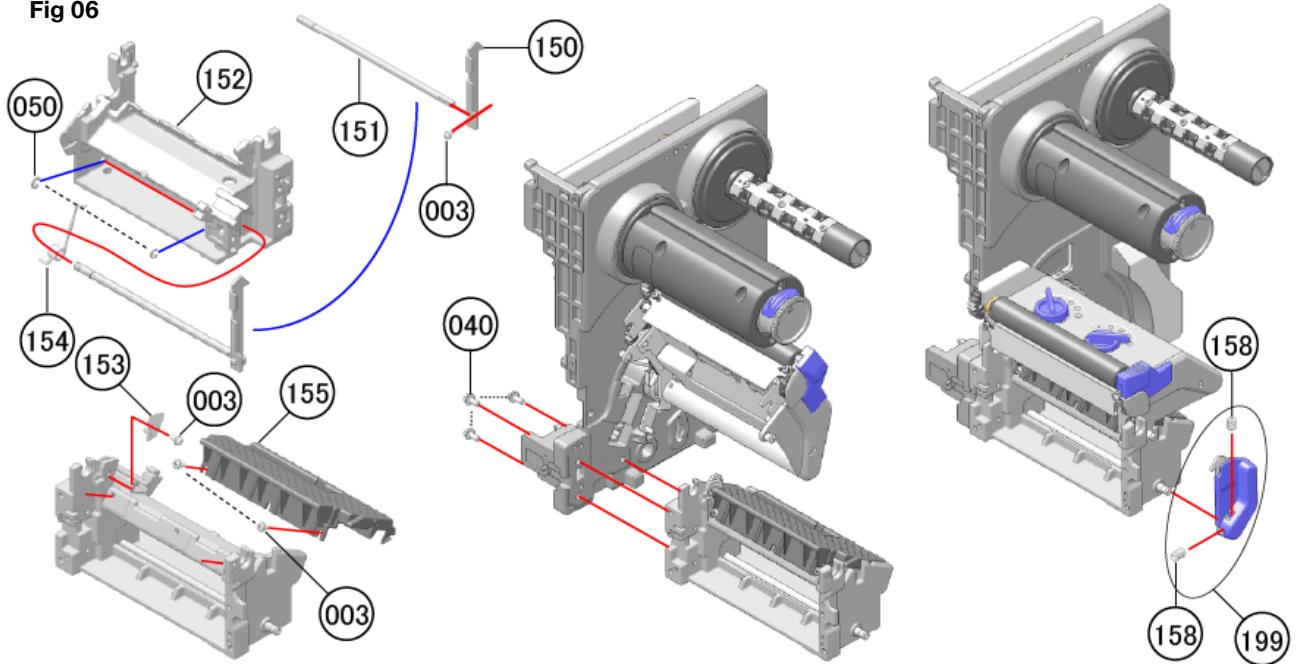
No	Part No.	Description	Note
3	MD4300822	PAN HEAD SCREW+SW+WL	
6	MD4300622	PAN HEAD SCREW+SW+WL	
46	MD3300622	PAN HEAD SCREW+SW+WS	
74	R29801000	RIBBON ROLLER S/A	
76	P52988000	AJ PLATE (RIBBON ROLLER)	
77	P52984000	HEAD CLOSE LEVER	
78	P52985000	AJ PLATE (RIBBON)	
79	P53600000	SPRING (HEAD UP)	
80	NB0050022	SPRING WASHER	
81	PA0720100	COLLAR (5*16*2.3)	
82	MN1501030	HEX BOLT	

Fig 05



No	Part No.	Description	Note
3	MD4300822	PAN HEAD SCREW+SW+WL	
40	MD4401022	PAN HEAD SCREW+SW+WL	
50	ND0040030	E SNAP RING	
150	P52954000	HEAD LOCK PLATE LH	
151	P53602000	SHAFT (HOOK)	
152	P52953000	ENGINE FRAME	
153	P52973000	LABEL GUIDE LH (F)	
154	P53616000	SPRING (HOOK)	
155	R30077000	MEDIA GUARD (COAT)	
158	MJ1400524	HEX SOCKET SET SCREW (W-POINT)	
199	R30541000	HEAD LOCK ASSY	

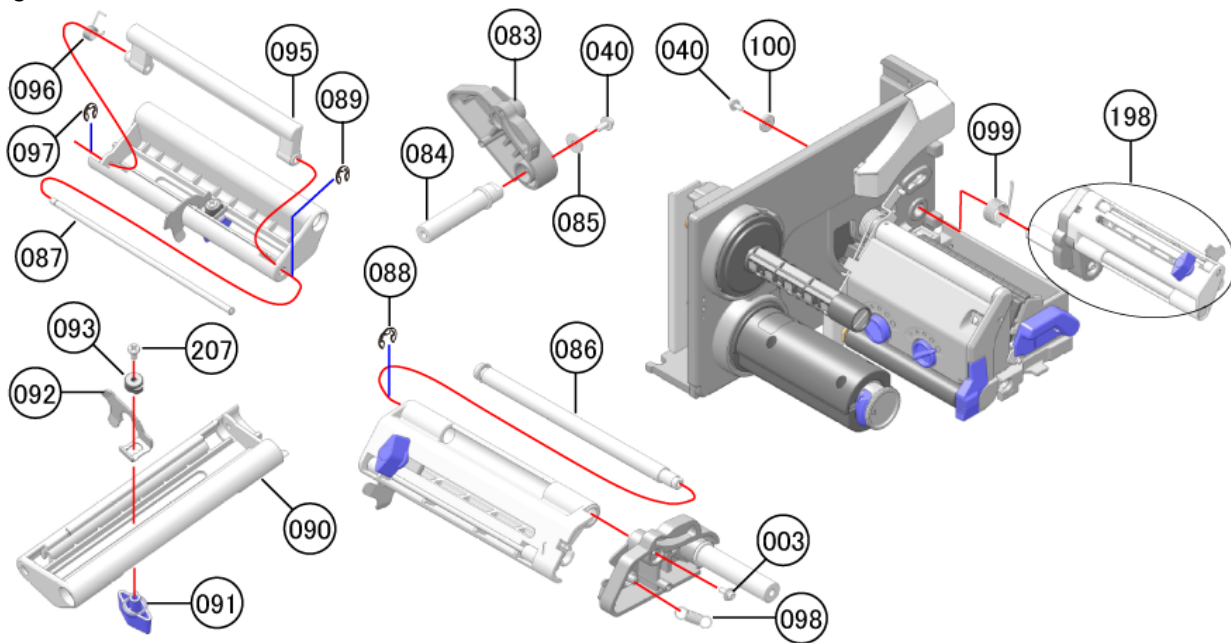
Fig 06





No	Part No.	Description	Note
3	MD4300822	PAN HEAD SCREW+SW+WL	
40	MD4401022	PAN HEAD SCREW+SW+WL	
83	P52970000	DAMPER BASE	
84	P53638000	SHAFT (DAMPER BASE)	
85	PA0730300	WASHER (4.2*14*1)	
86	P53636000	SHAFT (DAMPER A)	
87	P53640000	SHAFT (DAMPER B)	
88	ND0060030	E RING	
89	ND0020030	E SNAP RING	
90	P53120000	DAMPER HOLDER TOP	
91	P53121000	LABEL GUIDE LEVER	
92	P53127000	LABEL GUIDE RH	
93	P53123000	LABEL GUIDE STOPPER	
95	P53145000	DAMPER HOLDER UNDER	
96	P53639000	SPRING (DAMPER B)	
97	ND0030030	E SNAP RING	
98	P53635000	SPRING (DAMPER A)	
99	P53637000	SPRING (DAMPER BASE)	
100	PA0720100	COLLAR (5*16*2.3)	
198	R30540000	DAMPER ASSY	
207	MH0301022	PAN HEAD P TIGHT SCREW	

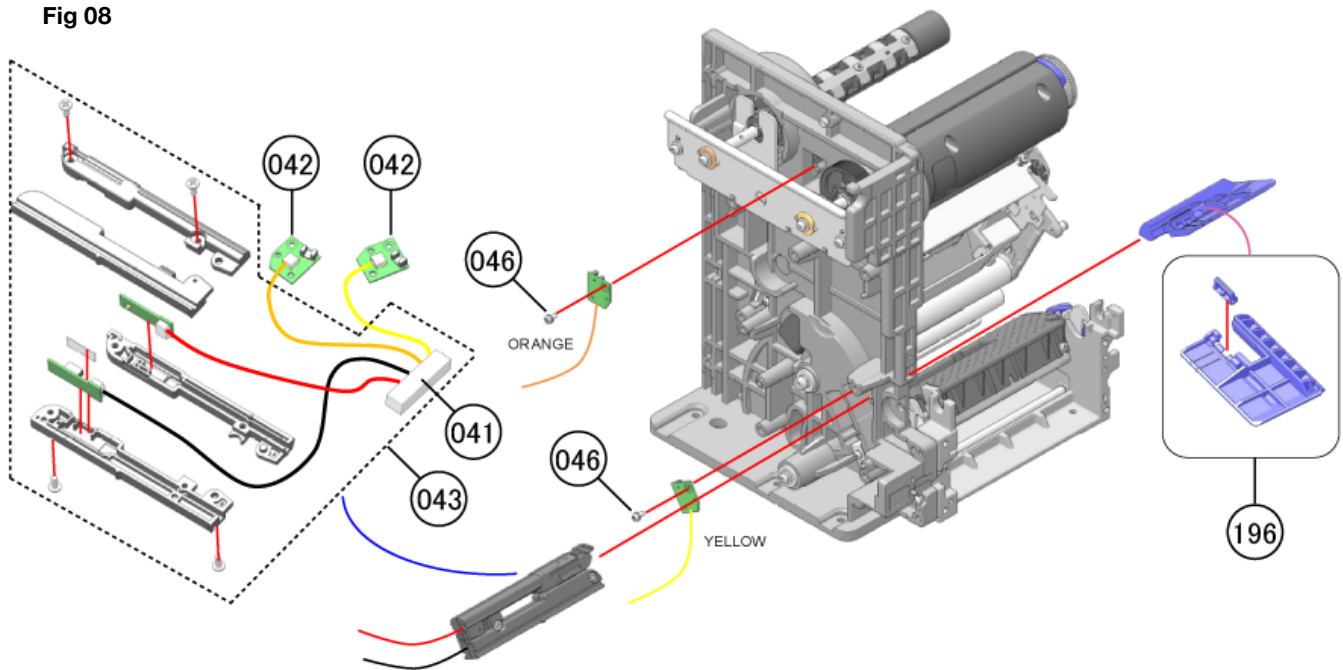
Fig 07





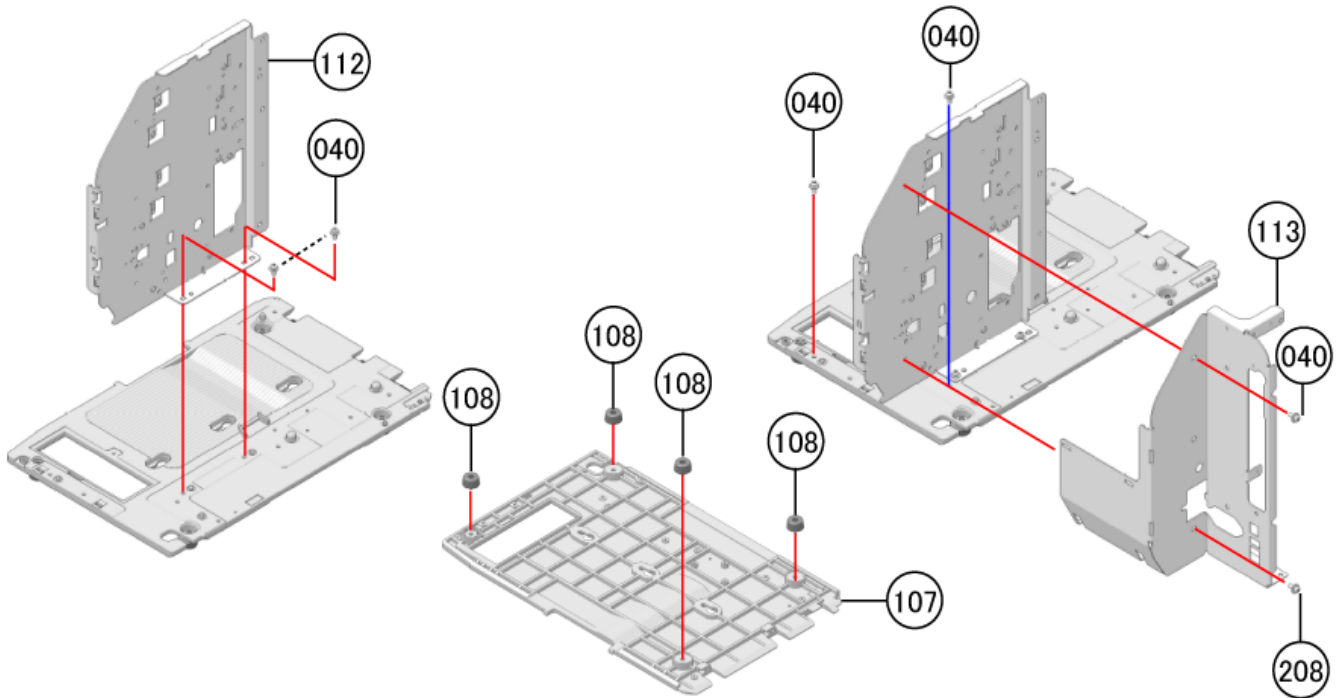
No	Part No.	Description	Note
41	R28433000	SENSOR CABLE SET-LF	
42	R28363000	CL4NX HO RB PCB SET-LF	Recommended Spare Parts
43	R29791000	SENSOR S/A-LF	Recommended Spare Parts
46	MD3300622	PAN HEAD SCREW+SW+WS	
196	R30539000	LABEL SENSOR GUIDE ASSY	

Fig 08



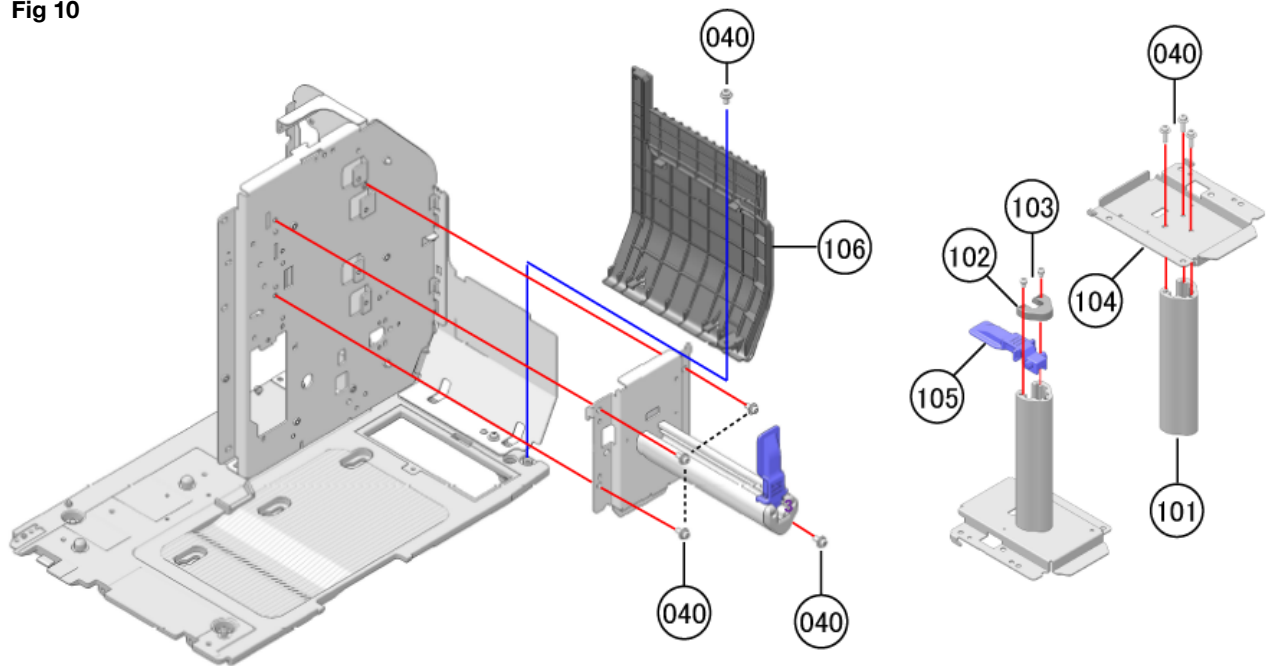
No	Part No.	Description	Note
40	MD4401022	PAN HEAD SCREW+SW+WL	
107	P52964000	BASE FRAME	
108	PT6750100	CASE LEG	
112	P52977000	CENTER PLATE	
113	R29783000	REAR PANEL LH (SILK)	
208	MD3400622	PAN HEAD SCREW+SW+WS	

Fig 09



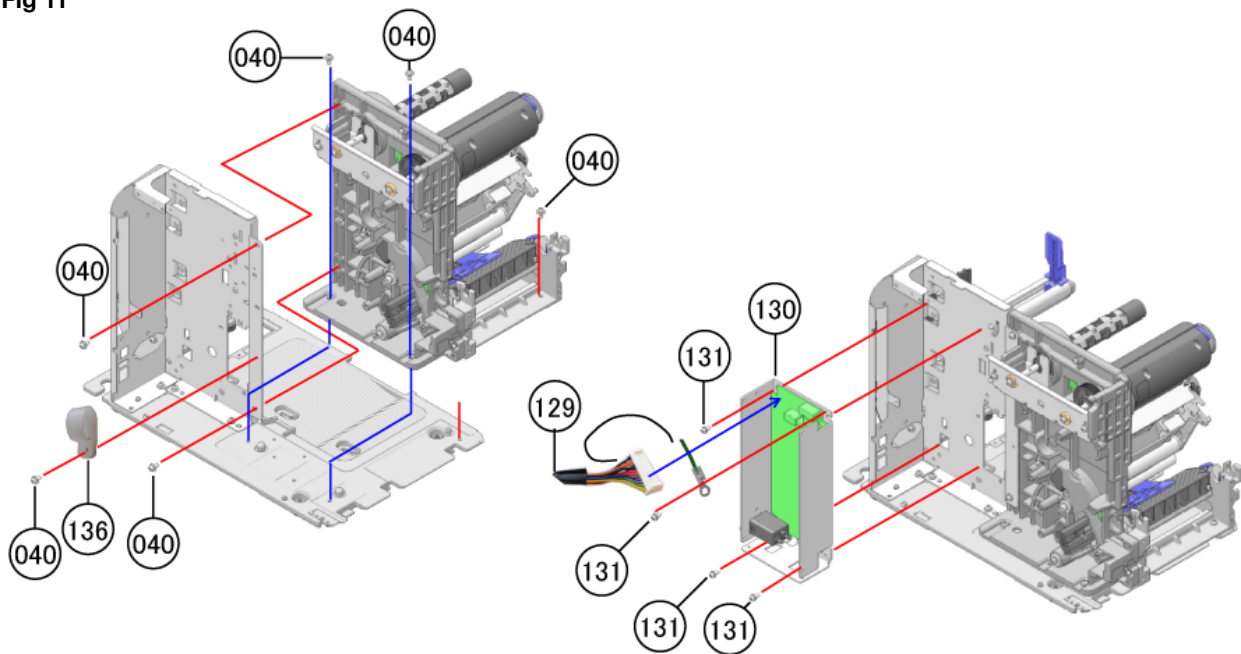
No	Part No.	Description	Note
40	MD4401022	PAN HEAD SCREW+SW+WL	
101	P52971000	LABEL HOLDER	
102	P53125000	LABEL HOLDER CATP	
103	MA0400822	PAN HEAD SCREW	
104	P53124000	LABEL HOLDER SUPPORT	
105	P53122000	LABEL HOLDER GUIDE RH	
106	P53113000	REAR COVER	

Fig 10



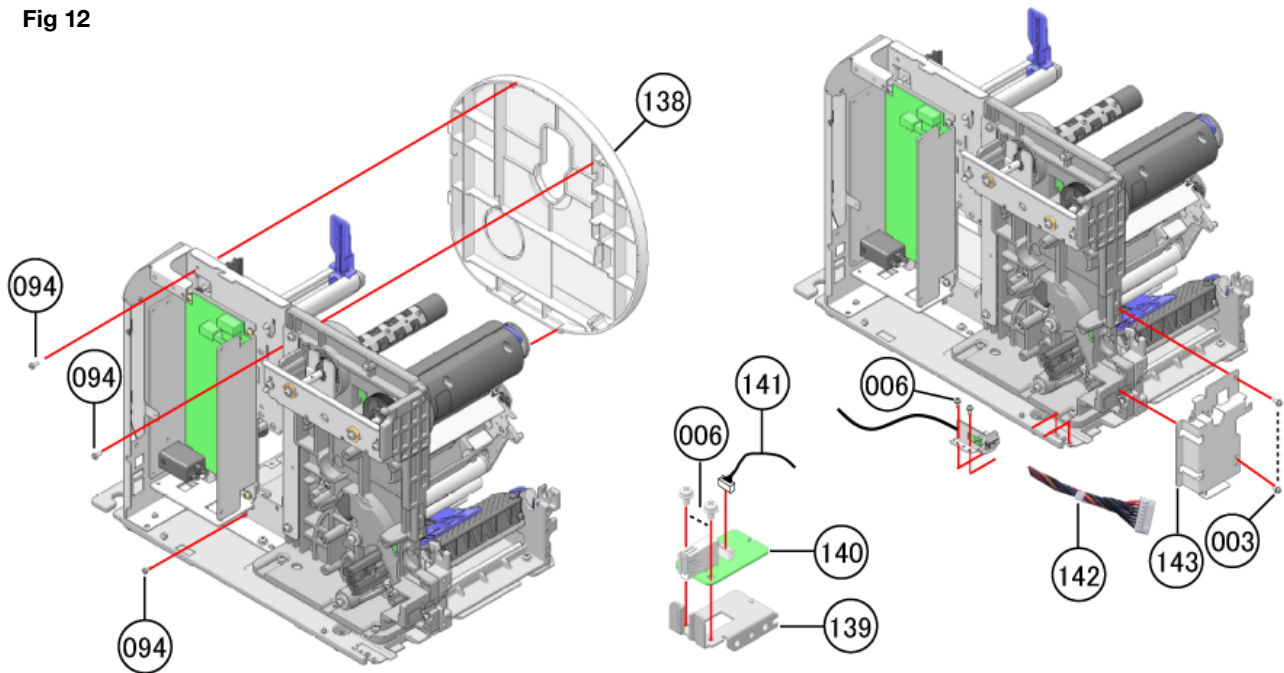
No	Part No.	Description	Note
40	MD4401022	PAN HEAD SCREW+SW+WL	
129	R28429001	POWER SUPPLY CABLE SET-LF	
130	R29211000	POWER UNIT ASSY-LF	Recommended Spare Parts
131	MD3401022	PAN HEAD SCREW+SW+WS	
136	JG100141A	NYLON CLAMP	

Fig 11



No	Part No.	Description	Note
3	MD4300822	PAN HEAD SCREW+SW+WL	
6	MD4300622	PAN HEAD SCREW+SW+WL	
94	M16221000	BIND HEAD P TIGHT SCREW	
138	P53128000	LABEL HOLDER GUIDE LH	
139	P53115000	USB PCB BR	
140	R28364000	CL4NX USB PCB ASSY-LF	
141	R28426000	USB HOST CABLE SET-LF	
142	R28425000	OPTION CABLE SET-LF	
143	P53114000	CONT PCB BR	

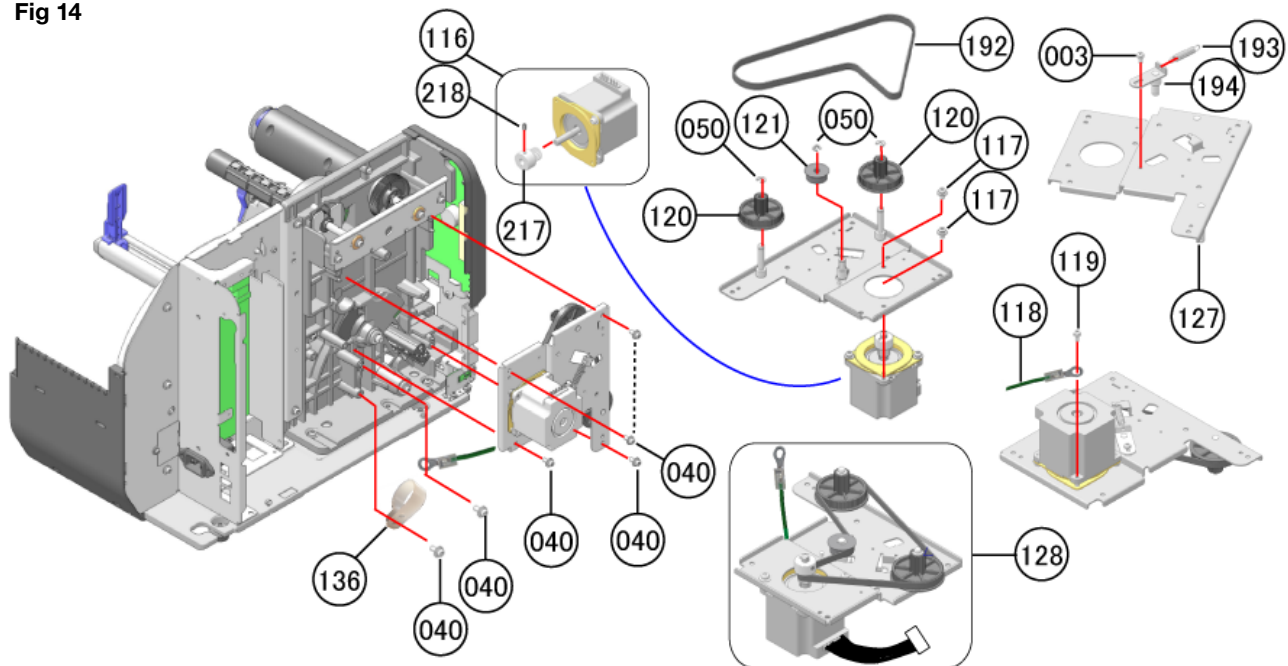
Fig 12





No	Part No.	Description	Note
3	MD4300822	PAN HEAD SCREW+SW+WL	
40	MD4401022	PAN HEAD SCREW+SW+WL	
50	ND0040030	E SNAP RING	
116	R29789000	MOTOR S/A	
117	MD4400824	PAN HEAD SCREW+SW+WL	
118	R13541000	FG CABLE-195 SET-LF	
119	MD0400622	PAN HEAD SCREW	
120	P52963000	GEAR/PULLEY (0_6*20/67)	
121	P44208000	TENSION ROLLER	
127	R27637000	GEAR FRAME SET	
128	R29788000	GEAR BRACKET ASSY	
136	JG100141A	NYLON CLAMP	
192	P53988000	TIMING BELT	Recommended Spare Parts
193	P53618000	SPRING (IDOLE)	
194	R27442000	TENSION BR SET	
217	P53646000	MO PULLEY	
218	MJ1400524	HEX SOCKET SET SCREW (W-POINT)	

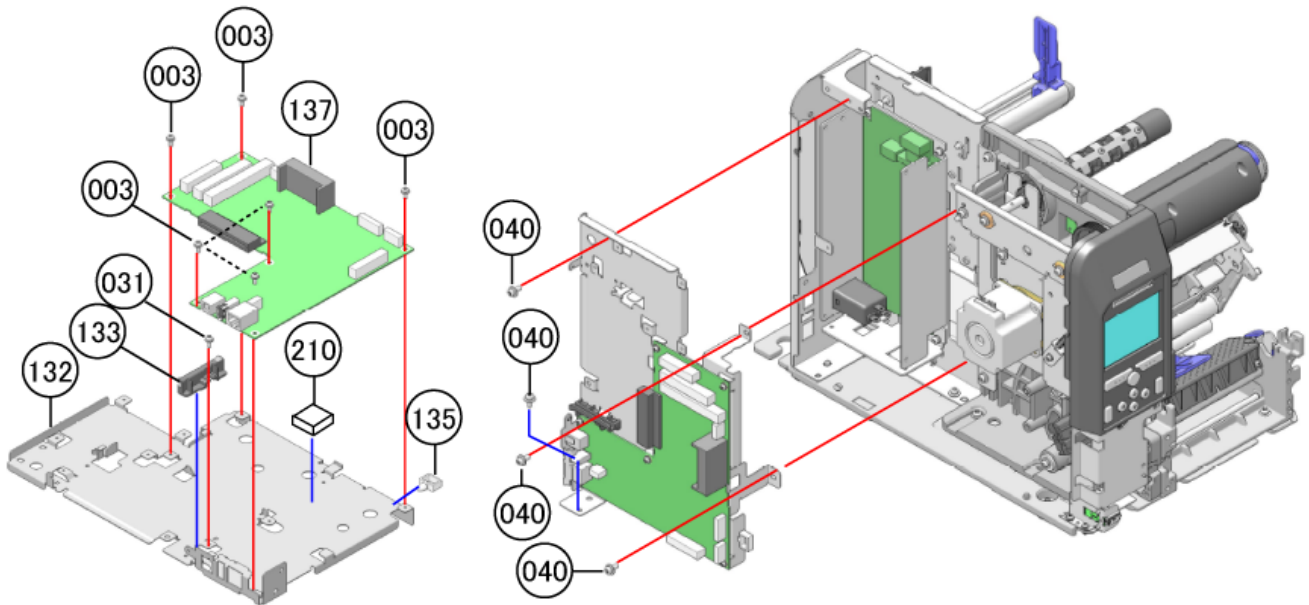
Fig 14





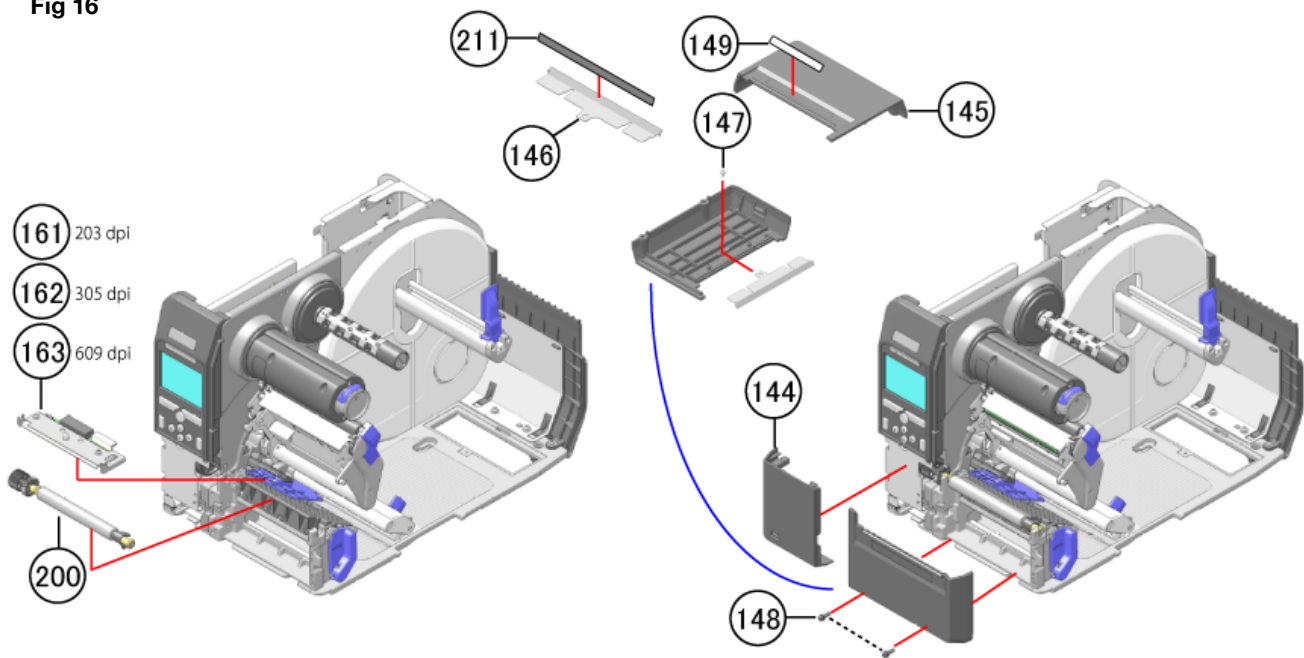
No	Part No.	Description	Note
3	MD4300822	PAN HEAD SCREW+SW+WL	
31	MD3300822	PAN HEAD SCREW+SW+WS	
40	MD4401022	PAN HEAD SCREW+SW+WL	
132	P52979000	MAIN PCB BR	
133	P52981000	I/F GUIDE RAIL	
135	P54964000	CABLE SADDLE	
137	R28329001	CL4NX-CONT PCB ASSY	Recommended Spare Parts
210	P55724000	HEAT CONDUCTING PAD	

Fig 15



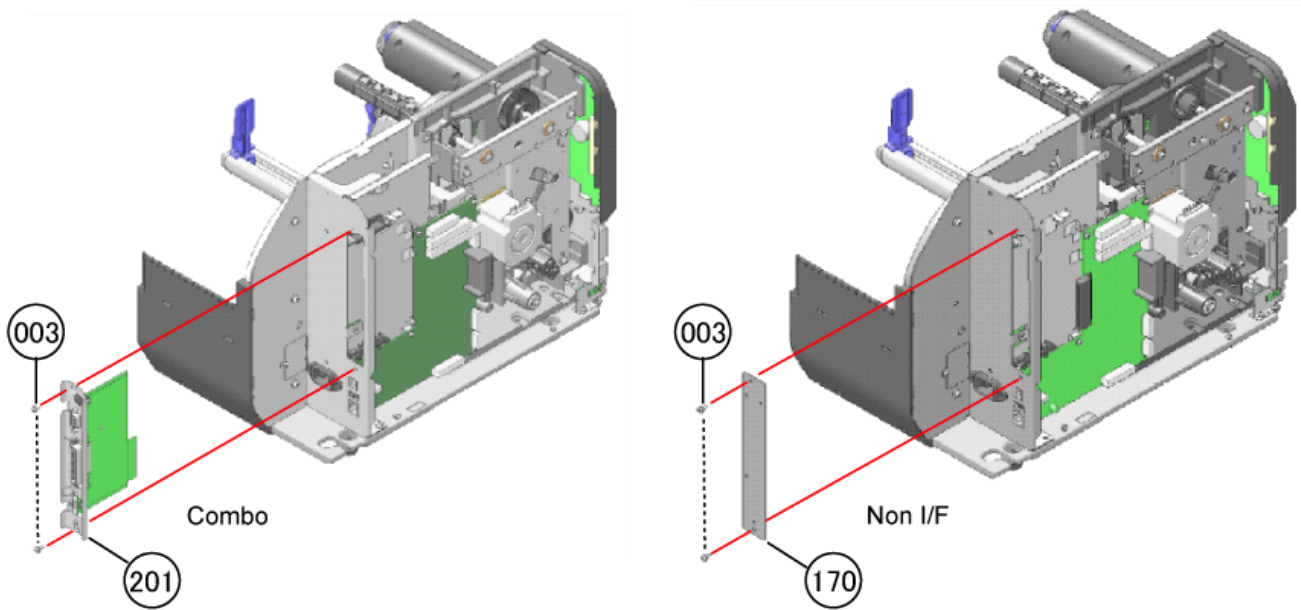
No	Part No.	Description	Note
144	P53096000	FRONT COVER UNDER LH	
145	P52950000	FRONT COVER UNDER RH	
146	R29933000	TEAR OFF CUTTER (NON-STICK)	
147	MD4300522	PAN HEAD SCREW+SW+WL	
148	MD3401428	PAN HEAD SCREW+SW+WS	
149	Q04254000	STICKER (TEAR OFF)	
161	R29797000	HEAD SUB ASSY (8)	Recommended Spare Parts
162	R29798000	HEAD SUB ASSY (12)	Recommended Spare Parts
163	R29799000	HEAD SUB ASSY (24)	Recommended Spare Parts
200	R29792000	PLATEN S/A (B)	Recommended Spare Parts
211	P55461000	SHEET (TEAR OFF)	

Fig 16



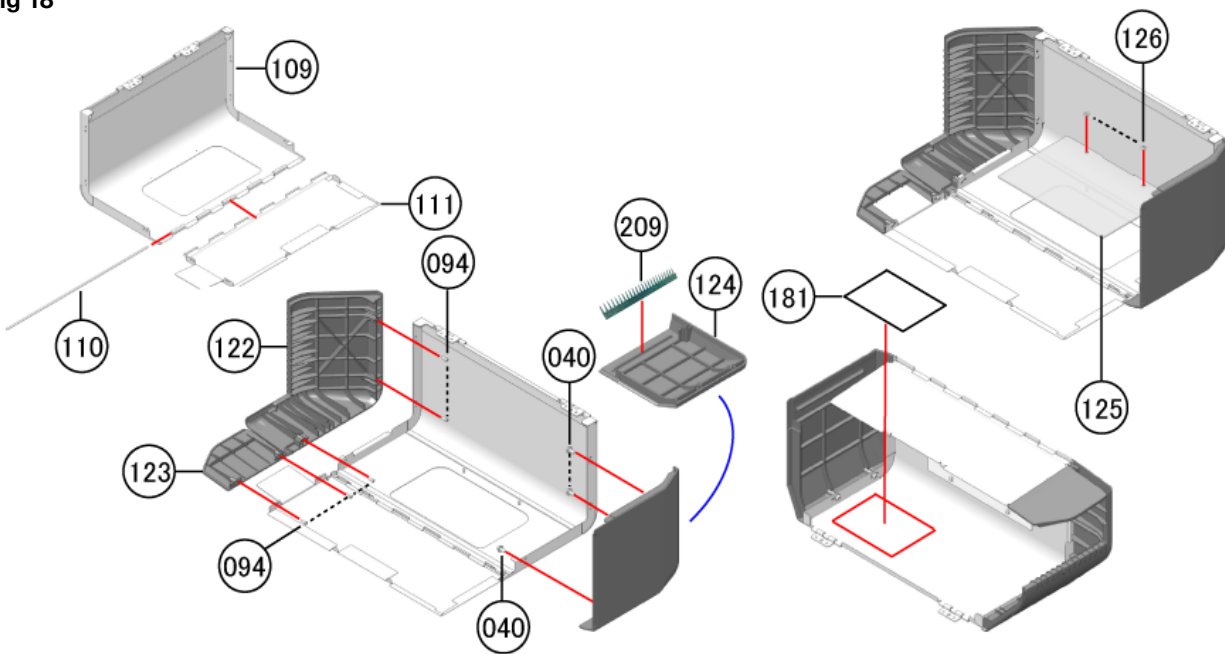
No	Part No.	Description	Note
3	MD4300822	PAN HEAD SCREW+SW+WL	
170	P54785000	I/F COVER (STD)	
201	R30542000	I/F INTERFACE ASSY	Recommended Spare Parts

Fig 17



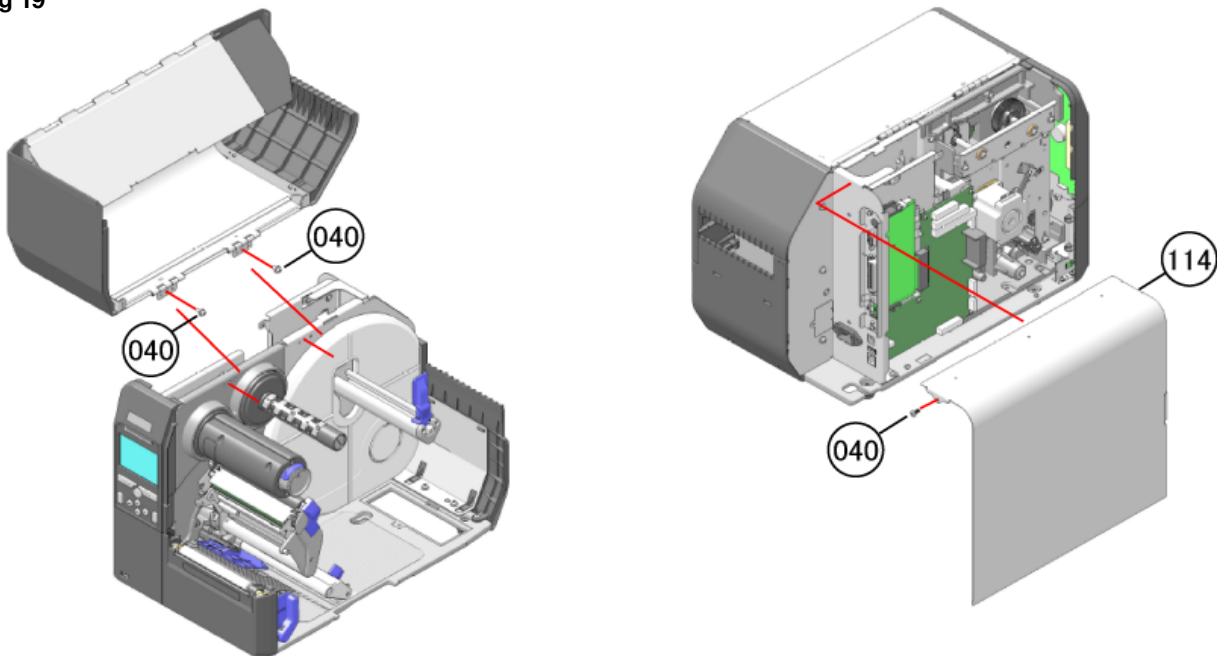
No	Part No.	Description	Note
40	MD4401022	PAN HEAD SCREW+SW+WL	
94	M16221000	BIND HEAD P TIGHT SCREW	
109	R27611000	OPEN COVER TOP SET	
110	P53599000	HINGE PIN (SUB COVER)	
111	P53103000	SUB OPEN COVER	
122	P53110000	REAR OPEN COVER	
123	P53111000	SUB REAR OPEN COVER	
124	P52951000	FRONT COVER TOP	
125	P53097000	WINDOW	
126	MV8300030	PUSH NUT	
181	Q04253000	ROUTE STICKER	
209	Q01069001	SHEET (THUNDER) W110	

Fig 18



No	Part No.	Description	Note
40	MD4401022	PAN HEAD SCREW+SW+WL	
114	R27582000	COVER LH SET	

Fig 19



**SATO AMERICA, INC.**  
**CORPORATE**  
 10350-A Nations Ford Rd  
 Charlotte, NC 28273  
 Phone: (704) 644-1650  
 Fax: (704) 644-1662  
 satosales@satoamerica.com

**LABEL MANUFACTURING, SERVICE & SALES**  
 UNITED STATES MEXICO CENTRAL AMERICA  
 CANADA CARIBBEAN

©2014 SATO America, Inc. All rights Reserved. • Specifications subject to change without notice • Any unauthorized reproduction of this content, in part or whole, is strictly prohibited • SATO is a registered trademark of SATO Corporation and its subsidiaries in Japan, the U.S. and other countries. All other trademarks are the property of their respective owners. • Rev A