

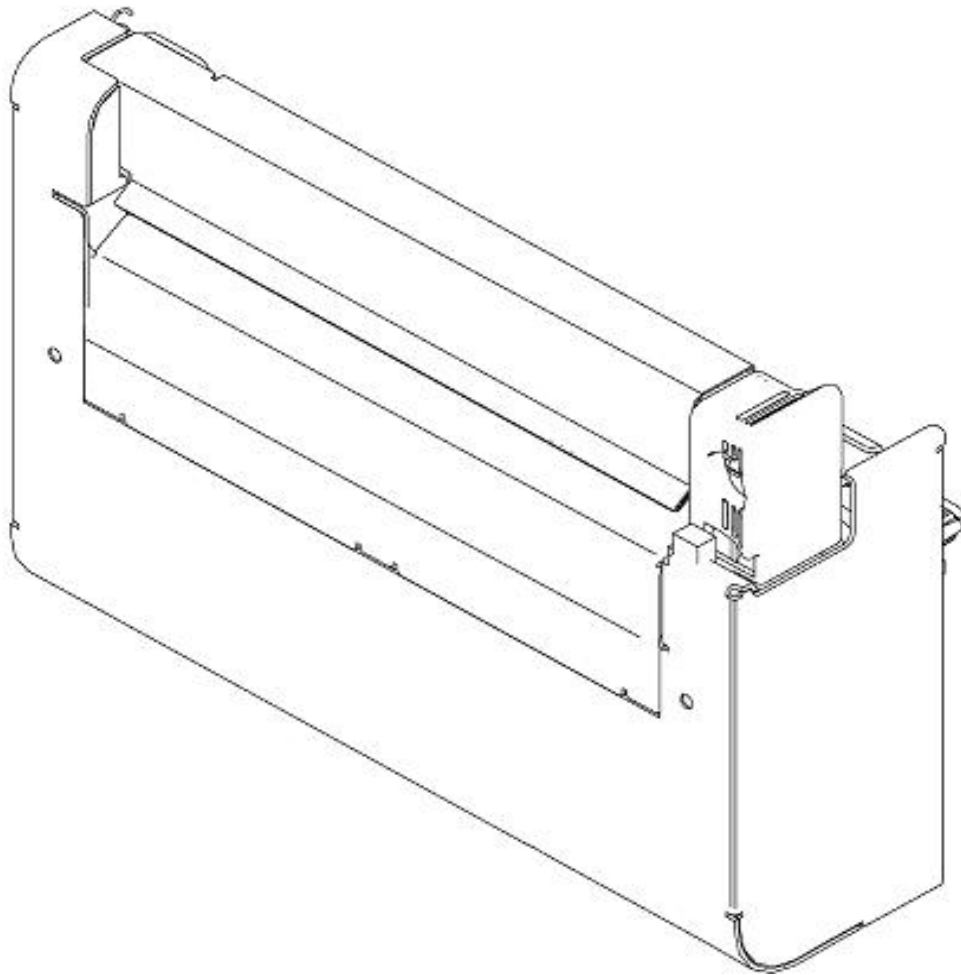


Cutter Kit Parts List

Item#: WWCL05100

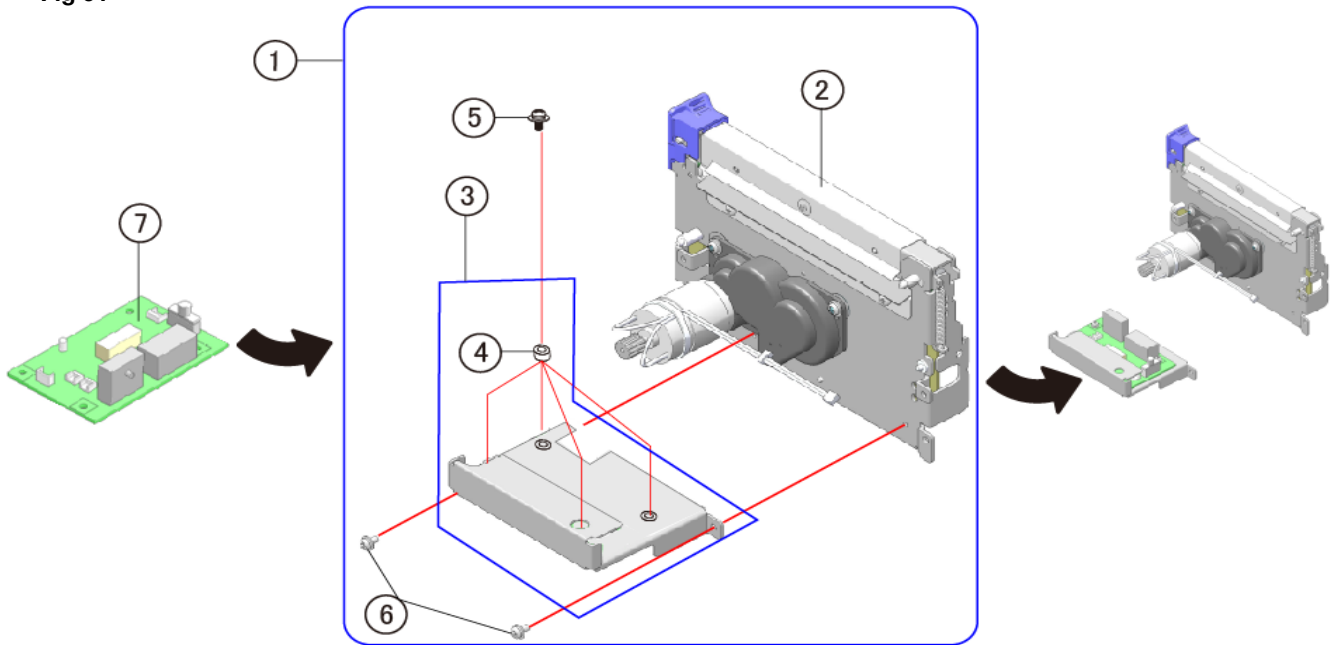
For printer model:

CL4NX



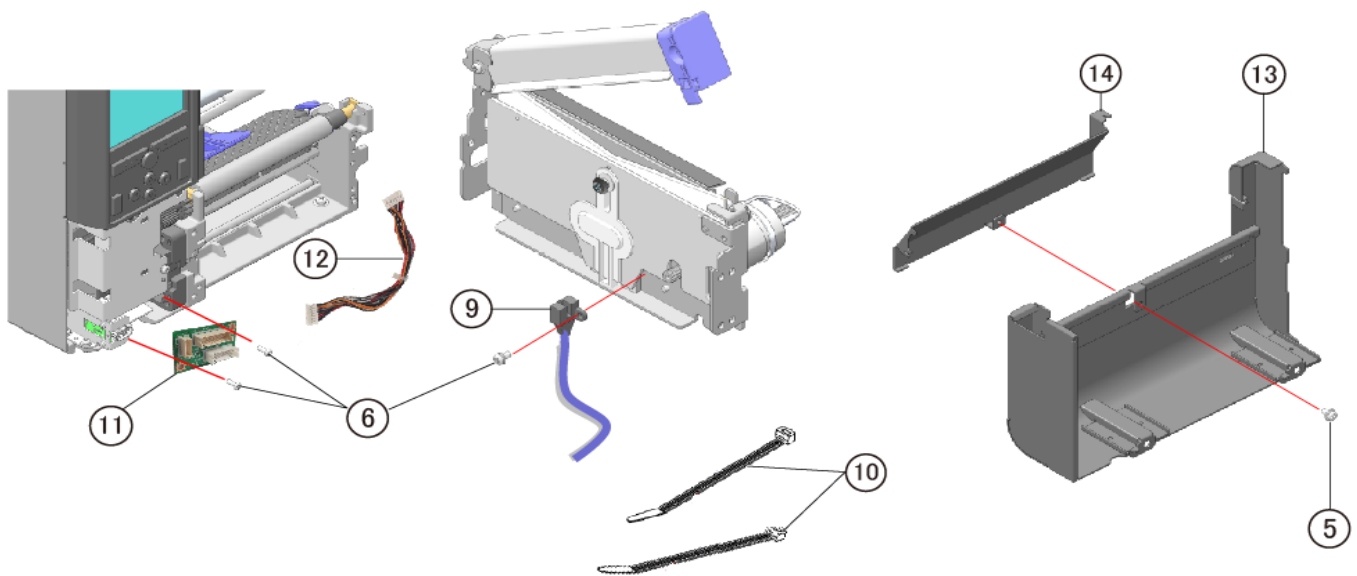
No	Part No.	Description	Note
1	R30428000	CUTTER (CL4NX) O S/A	
2	P55553000	CUTTER (CL4NX) O	
3	P54802000	CT PCB BR	
4	P24161000	SPACER T (M3*L5)	
5	MD4300622	PAN HEAD SCREW+SW+WL	
6	MD3300622	PAN HEAD SCREW+SW+WS	
7	R29124000	CL4NX CUT PCB ASSY -LF	Recommended Spare Parts

Fig 01



No	Part No.	Description	Note
5	MD4300622	PAN HEAD SCREW+SW+WL	
6	MD3300622	PAN HEAD SCREW+SW+WS	
9	R30393000	CUTTER COVER OPEN CABLE SET-LF	Recommended Spare Parts
10	JG100011A	TIE WRAP	
11	R29115000	RELAY PCB ASSY-LF	Recommended Spare Parts
12	R28591000	CUTTER CABLE SET-LF	Recommended Spare Parts
13	R29517000	CT FRONT COVER SET	
14	P54803000	CT FRONT COVER T (STD)	

Fig 02



No	Part No.	Description	Note
8	MD3300822	PAN HEAD SCREW+SW+WS	
15	MD3401028	PAN HEAD SCREW+SW+WS	

Fig 03

