

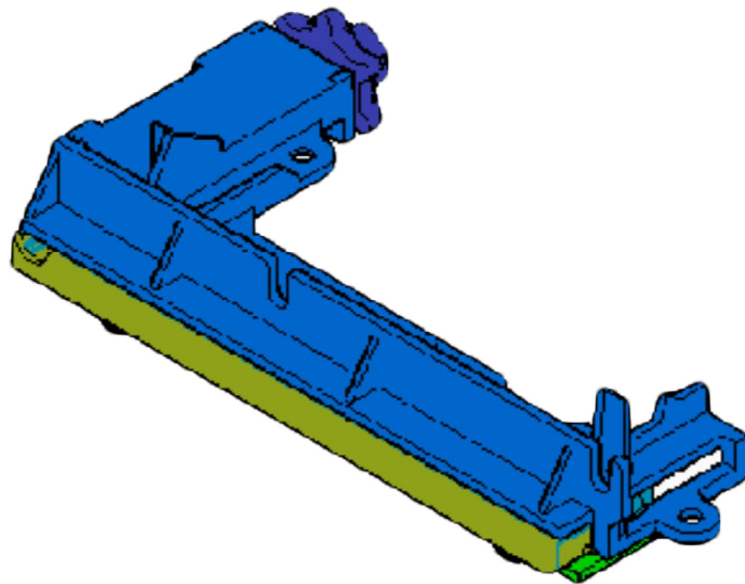


# RFID Kit Parts List

Item# WWCL05D00

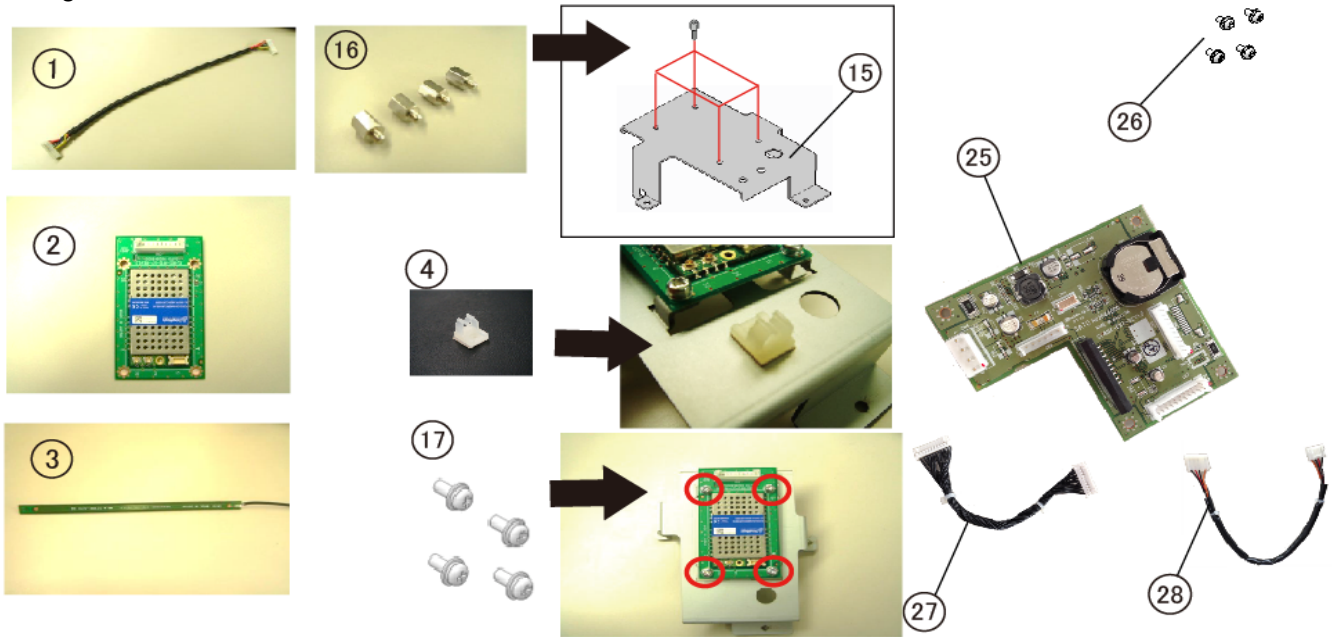
For printer model:

**CL4NX**



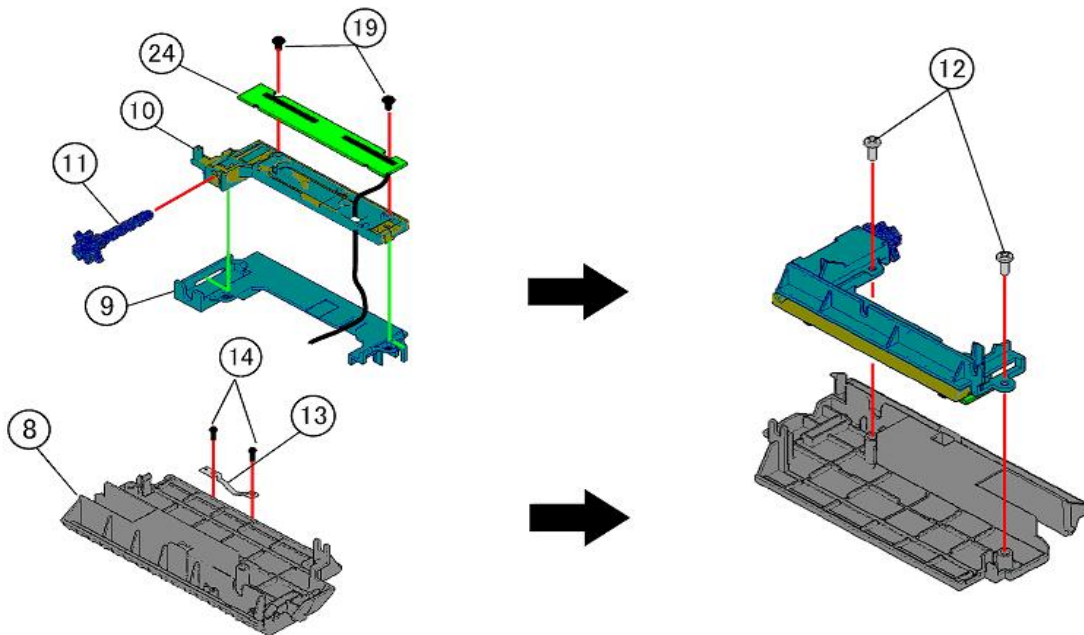
No	Part No.	Description	Note
1	R29836000	RFID SIGNAL CABLE SET (CL4NX)-LF	
2	R29832000	RFID-I/F PCB-SET	
3	R29835000	UHF (SHORT) ANTENNA-SUB ASSY-LF	
4	JG100511A	MINI CLAMP	
15	P55186000	RFID MODULE BR	
16	P24161000	SPACER (M3*L5)	
17	MD3300622	PAN HEAD SCREW+SW+WS	
25	R28518001	CL4NX EXT PCB SET -LF	Recommended Spare Parts
26	MD4300622	PAN HEAD SCREW+SW+WL	
27	R28824000	EXT SIGNAL CABLE SET-LF	Recommended Spare Parts
28	R28431000	EXT POWER CABLE SET-LF	Recommended Spare Parts

Fig 01



No	Part No.	Description	Note
8	P55621000	RFID MEDIA GUARD	
9	P55620000	RFID ANT BR GUIDE	
10	P55622000	RFID ANT BR COUPLER	
11	P55624000	RFID ANT AJ	
12	M16221000	BIND HEAD P TIGHT SCREW	
13	P55619000	RFID ANT AJ SP	
14	MH2200622	BIND P TIGHT	
19	PT9500200	NYLON RIVET	
24	R30063000	COUPLER V12 UHF SUB ASSY-LF	

Fig 02



No	Part No.	Description	Note
5	P55625000	RFID HEAD COVER	
6	P55626000	RFID HEAD COVER SHEET	
7	P55842000	BOTH SIDES TAPE	
18	MD4300822	PAN HEAD SCREW+SW+WL	

Fig 03

